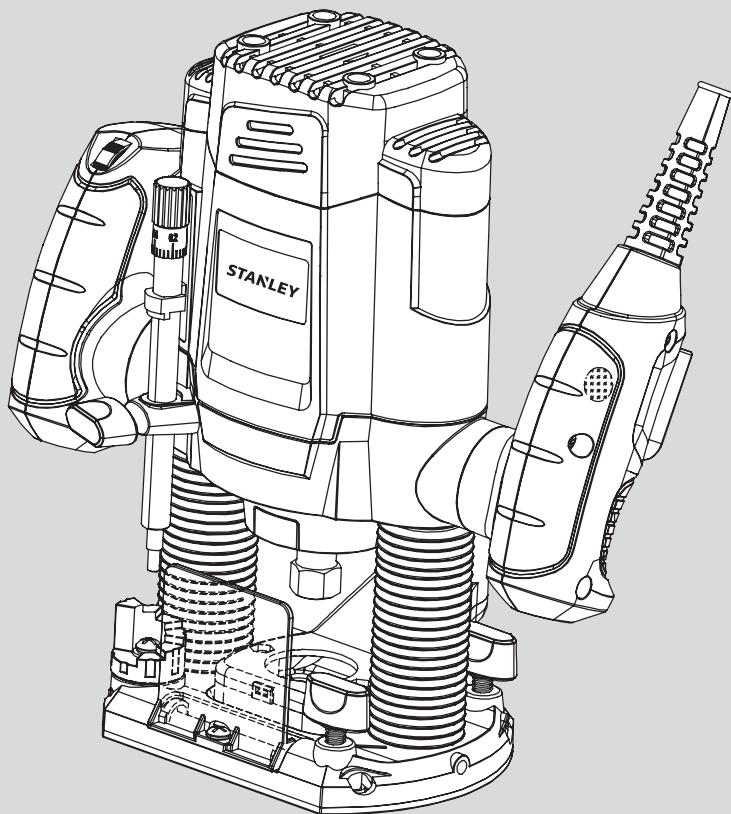


# STANLEY®



**SRR1200**

English	Page	05
Turkish	Page	13
Russian	Page	21
Ukrainian	Page	31

FIG. A

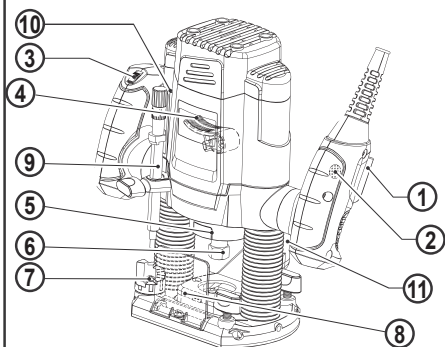


FIG. B

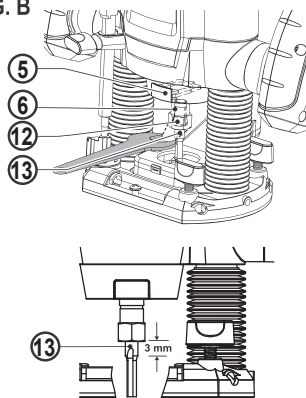


FIG. C

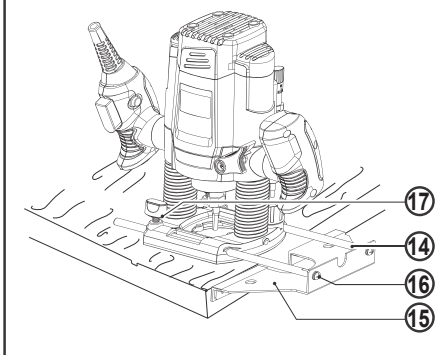


FIG. D

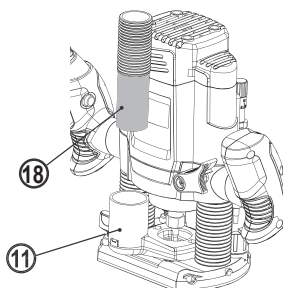


FIG. E

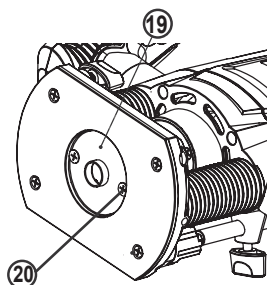
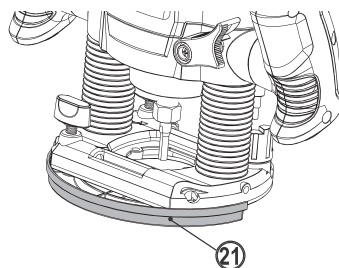
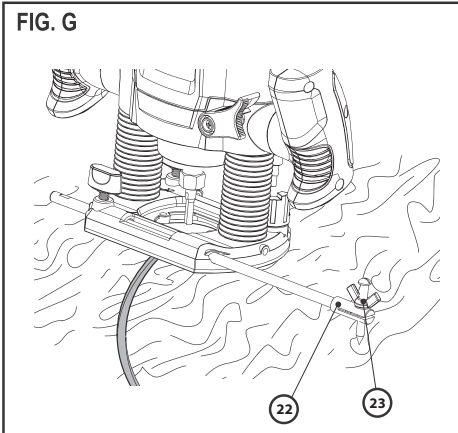


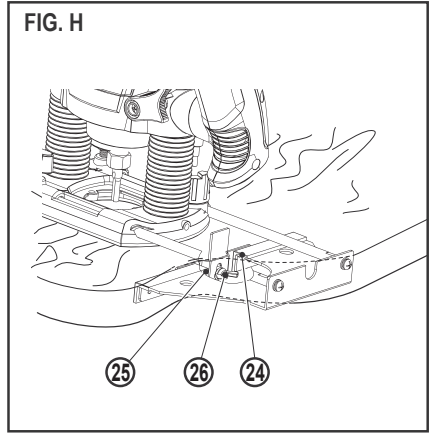
FIG. F



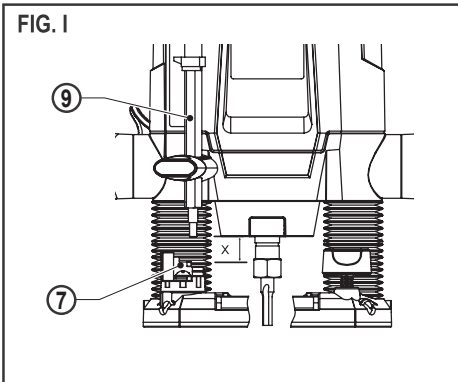
**FIG. G**



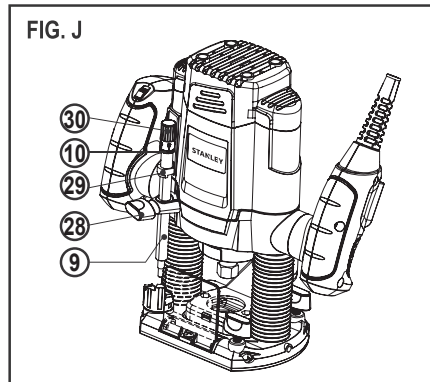
**FIG. H**



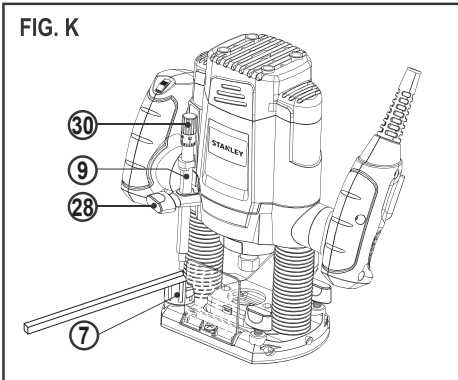
**FIG. I**



**FIG. J**



**FIG. K**



**FIG. L**

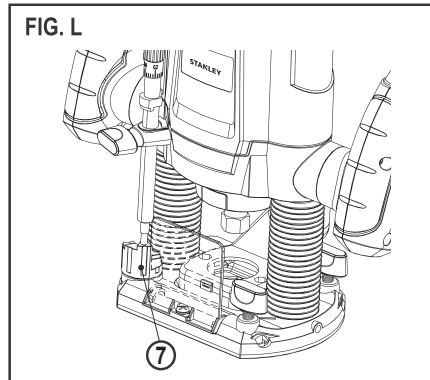


FIG. M

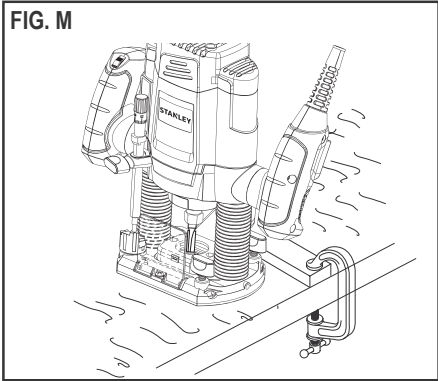


FIG. N

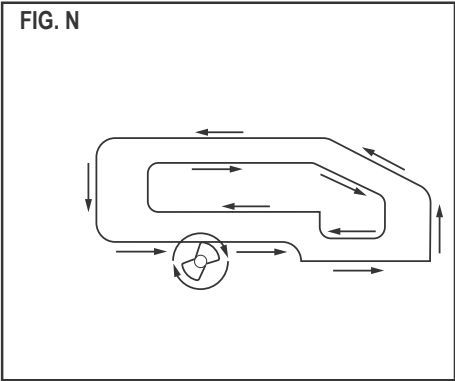


FIG. O

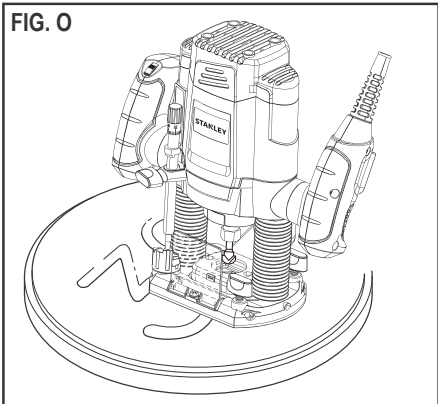
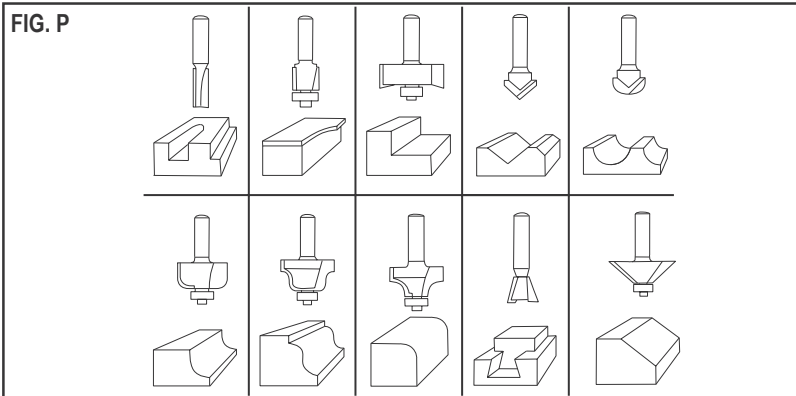


FIG. P



\*Router bit types, for reference only

## Intended use

Your Stanley SRR1200 plunge router has been designed for routing wood and wood products. This tool is intended for Professional use only.

## SAFETY INSTRUCTIONS

### General Power Tool Safety Warnings



**WARNING! Read all safety warnings and all instructions.** Failure to follow the warnings and instructions may result in electric shock, fire and/or serious injury.

### Save all warnings and instructions for future reference.

The term "power tool" in the warnings refers to your mains-operated (corded) power tool or batteryoperated (cordless) power tool.

#### 1. Work area safety

- a. **Keep work area clean and well lit.** Cluttered and dark areas invite accidents.
- b. **Do not operate power tools in explosive atmospheres, such as in the presence of flammable liquids, gases or dust.** Power tools create sparks which may ignite the dust or fumes.
- c. **Keep children and bystanders away while operating a power tool.** Distractions can cause you to lose control.

#### 2. Electrical safety

- a. **Power tool plugs must match the outlet. Never modify the plug in any way. Do not use any adapter plugs with earthed (grounded) power tools.** Unmodified plugs and matching outlets will reduce risk of electric shock.
- b. **Avoid body contact with earthed or grounded surfaces such as pipes, radiators, ranges and refrigerators.** There is an increased risk of electric shock if your body is earthed or grounded.
- c. **Do not expose power tools to rain or wet conditions.** Water entering a power tool will increase the risk of electric shock.
- d. **Do not abuse the cord. Never use the cord for carrying, pulling or unplugging the power tool. Keep cord away from heat, oil, sharp edges or moving parts.** Damaged or entangled cords increase the risk of electric shock.
- e. **When operating a power tool outdoors, use an extension cord suitable for outdoor use.** Use of a cord suitable for outdoor use reduces the risk of electric shock.

- f. **If operating a power tool in a damp location is unavoidable, use a residual current device (RCD) protected supply.** Use of an RCD reduces the risk of electric shock. NOTE: The term "residual current device (RCD)" may be replaced by the term "ground fault circuit interrupter (GFCI)" or "earth leakage circuit breaker (ELCB)".

#### 3. Personal safety

- a. **Stay alert, watch what you are doing and use common sense when operating a power tool. Do not use a power tool while you are tired or under the influence of drugs, alcohol or medication.** A moment of inattention while operating power tools may result in serious personal injury.
- b. **Use personal protective equipment. Always wear eye protection.** Protective equipment such as dust mask, non-skid safety shoes, hard hat, or hearing protection used for appropriate conditions will reduce personal injuries.
- c. **Prevent unintentional starting. Ensure the switch is in the off-position before connecting to power source and/or battery pack, picking up or carrying the tool.** Carrying power tools with your finger on the switch or energising power tools that have the switch on invites accidents.
- d. **Remove any adjusting key or wrench before turning the power tool on.** A wrench or a key left attached to a rotating part of the power tool may result in personal injury.
- e. **Do not overreach. Keep proper footing and balance at all times.** This enables better control of the power tool in unexpected situations.
- f. **Dress properly. Do not wear loose clothing or jewellery. Keep your hair, clothing and gloves away from moving parts.** Loose clothes, jewellery or long hair can be caught in moving parts.
- g. **If devices are provided for the connection of dust extraction and collection facilities, ensure these are connected and properly used.** Use of these devices can reduce dust related hazards.

#### 4. Power tool use and care

- a. **Do not force the power tool. Use the correct power tool for your application.** The correct power tool will do the job better and safer at the rate for which it was designed.
- b. **Do not use the power tool if the switch does not turn it on and off.** Any power tool that cannot be controlled with the switch is dangerous and must be repaired.

- c. **Disconnect the plug from the power source and/or the battery pack from the power tool before making any adjustments, changing accessories, or storing power tools.** Such preventive safety measures reduce the risk of starting the power tool accidentally.
  - d. **Store idle power tools out of the reach of children and do not allow persons unfamiliar with the power tool or these instructions to operate the power tool.** Power tools are dangerous in the hands of untrained users.
  - e. **Maintain power tools. Check for misalignment or binding of moving parts, breakage of parts and any other condition that may affect the power tools operation. If damaged, have the power tool repaired before use.** Many accidents are caused by poorly maintained power tools.
  - f. **Keep cutting tools sharp and clean.** Properly maintained cutting tools with sharp cutting edges are less likely to bind and are easier to control.
  - g. **Use the power tool, accessories and tool bits etc. in accordance with these instructions, taking into account the working conditions and the work to be performed.** Use of the power tool for operations different from those intended could result in a hazardous situation.
5. **Service**
- a. **Have your power tool serviced by a qualified repair person using only identical replacement parts.** This will ensure that the safety of the power tool is maintained.

**ADDITIONAL SAFETY INSTRUCTIONS FOR ROUTERS**

- **Hold power tool by insulated gripping surfaces, because the cutter may contact its own cord.** Cutting a “live” wire may make exposed metal parts of the power tool “live” and shock the operator.
- **Use clamps or another practical way to secure and support the workpiece to a stable platform.** Holding the work by your hand or against the body leaves it unstable and may lead to loss of control.
- Only use router bits with a shank diameter equal to the size of the collet installed in the tool.
- Only use router bits suitable for the no-load speed of the tool.
- Never use router bits with a diameter exceeding the maximum diameter specified in the technical data section.
- Do not use the tool in an inverted position.
- Do not attempt to use the tool in a stationary mode.

- Take special care when routing MDF or surfaces coated with lead-based paint.
- Wear a dust mask specifically designed for protection against lead paint dust and fumes and ensure that persons within or entering the work area are also protected.
- Do not let children or pregnant women enter the work area.
- Do not eat, drink or smoke in the work area.
- Dispose of dust particles and any other debris safely.
- Always wear a dust mask.
- This appliance is not intended for use by young or infirm persons without supervision. children must be supervised to ensure they do not play with the appliance.







**PERSONAL SAFETY**

- No children or pregnant women should enter the work area where the paint sanding is being done until all cleanup is completed.
- A dust mask or respirator should be worn by all persons entering the work area. The filter should be replaced daily or whenever the wearer has difficulty breathing.

**Note: only those dust masks suitable for working with lead paint dust and fumes should be used. Ordinary painting masks do not offer this protection. See your local hardware dealer for the NIOSH approved proper mask.**

**LABELS ON TOOL**

The label on your tool may include the following symbols along with date code:

	<b>WARNING!</b> To reduce the risk of injury, the user must read the instruction manual before use.		
	Wear ear protection.		
	Wear safety glasses or goggles.		
V	Volts		Direct Current
A	Amperes	$n_n$	No-Load Speed
Hz	Hertz		Class II Construction
W	Watts		Earthing Terminal
min	minutes		Safety Alert Symbol
	Alternating Current	/min.	Revolutions or Reciprocation per minute

**Position of Date Code (Fig. A)**

The Date Code, which also includes the year of manufacture, is printed into the housing.

Example:

2016 XX JN  
Year of manufacturing

**PACKAGE CONTENTS**

The package contains:

- 1 Router
- 3 Collets: 6mm, 6.35mm, 8mm
- 1 Edge guide
- 2 Edge guide bars
- 1 Dust extraction adaptor
- 1 Spanner
- 6 Router bits (optional, may not be available in all models)
- 1 Instruction Manual

- Check for damage to the tool, parts or accessories which may have occurred during transport.
- Take the time to thoroughly read and understand this manual prior to operation.

**ELECTRICAL SAFETY**

Your tool is double insulated; therefore no earth wire is required. Always check that the main voltage corresponds to the voltage on the rating plate.



**WARNING!** If the power cord is damaged, it must be replaced by the manufacturer, authorized Stanley Service Center or an equally qualified person in order to avoid damage or injury. If the power cord is replaced by an equally qualified person, but not authorized by Stanley, the warranty will not be valid.

**USING AN EXTENSION CABLE**

If it is necessary to use an extension cable, please use an approved extension cable that fits the tool's power input specifications. The minimum cross-sectional area of the conducting wire is 1.5 sq. mm. Cables should be untangled before reeling up.

Cable cross-sectional area (mm <sup>2</sup> ) Cable rated current (Ampere)	Cable cross-sectional area (mm <sup>2</sup> ) Cable rated current (Ampere)
0,75	6
1,00	10
1,50	15
2,50	20
4,00	25

Cable length (m)						
	7,5	15	25	30	45	60

Voltage	Amperes	Cable rated current (Ampere)					
110-127	0 - 2,0	6	6	6	6	6	10
	2,1 - 3,4	6	6	6	6	15	15
	3,5 - 5,0	6	6	10	15	20	20
	5,1 - 7,0	10	10	15	20	20	25
	7,1 - 12,0	15	15	20	25	25	-
	12,1 - 20,0	20	20	25	-	-	-
220-240	0 - 2,0	6	6	6	6	6	6
	2,1 - 3,4	6	6	6	6	6	6
	3,5 - 5,0	6	6	6	6	10	15
	5,1 - 7,0	10	10	10	10	15	15
	7,1 - 12,0	15	15	15	15	20	20
	12,1 - 20,0	20	20	20	20	25	-

**FEATURES (FIG. A)**

This tool includes some or all of the following features.

1. On/Off switch
2. Lock-off button
3. Variable speed control knob
4. Plunge lock lever
5. Spindle lock button
6. Collet
7. Revolver depth stop
8. Chip deflector
9. Depth stop bar
10. Depth of cut scale
11. Dust extraction adaptor

## **ASSEMBLY**

**WARNING!** To prevent accidental operation, turn off and unplug tool before performing the following operations. Failure to do this could result in serious personal injury.

### **Fitting a router bit (Fig. B)**

- Remove the chip reflector (8).
- Keep the spindle lock button (5) depressed and rotate the spindle until the spindle lock fully engages.
- Loosen the collet nut (12) using the spanner provided.
- Insert the shank of the router bit (13) into the collet (6). Make sure that the shank protrudes at least 3mm from the collet as shown.
- Keep the spindle lock button (5) depressed and tighten the collet nut (12) using the spanner provided.

### **Fitting the edge guide (Fig. C)**

The edge guide helps to guide the tool parallel to an edge.

- Fit the bars (14) to the edge guide (15) using the two screws (16) provided.
- Insert the bars (14) into the router base as shown.
- Set the edge guide to the required distance.
- Tighten the fixing screws (17).

### **Fitting the dust extraction adaptor (Fig. D)**

The Dust extraction adaptor allows you to connect a vacuum cleaner to the tool.

- Connect the hose (18) of the vacuum cleaner to the adaptor (11).

### **Fitting the template guide (Fig. E) (Template guide not included)**

- Fit the template guide (19) to the base of the router, with the flange to the bottom (workpiece) side.
- Insert the two long screws (20) from the bottom side through the template guide and the holes in the base.
- Place a nut onto each of the screws and securely tighten the nuts.

### **Fitting the distance piece (Fig. F) (Distance piece not included)**

- Fit the distance piece (21) to the base of the router using the screws provided.

### **Fitting the centring pin (Fig. G) (Centring pin not included)**

- Fit the centring pin (22) to the workpiece side of the bars, then tighten it with the steel knob(23) provided .

### **Fitting the copy follower (Fig. H) (Copy follower not included)**

- Fit the edge guide to the router as shown in Fig. C.
- Fit the bar (24) to the upper side of the edge guide using the two screws and nuts provided.
- Adjust the rotating attachment (25) on the bar with the wing knob (26).

## **OPERATION**

**WARNING!** Let the tool work at its own pace. Do not overload.

- Carefully guide the cable in order to avoid accidentally cutting it.

### **Adjusting the depth of cut (FIG. I, J and K)**

- The depth of cut is the distance X between the depth stop bar (9) and the depth stop (7).
- The depth of cut can be set in two different ways as described below.

### **Adjusting the depth of cut using the scale (FIG. J)**

- Fit the router bit as described above.
- Loosen the locking screw (28).
- Pull the plunge lock lever (4) up.
- Plunge the router down until the router bit touches the workpiece.
- Push the plunge lock lever (4) down.
- Move the pointer (29) in the zero position on the scale (10).
- Add the desired depth of cut to the starting position.
- Move the depth stop bar (9) to the calculated position on the scale.
- Tighten the locking screw (28).
- Fine adjust using the adjusting knob (30).
- Pull the plunge lock lever (4) up and let the router return to its original position.



- After switching the router on, plunge it down and make the desired cut.

### **Adjusting the depth of cut using a piece of wood (FIG. K)**

- Fit the router bit and plunge the router down as described above.
- Pull the depth stop bar (9) up.
- Place a piece of wood with a thickness equal to the desired depth of cut between the depth stop (7) and the depth stop bar (9).
- Tighten the locking screw (28).
- Fine adjust using the adjusting knob (30).
- Remove the piece of wood.
- Pull the plunge lock lever (4) up and let the router return to its original position.
- After switching the router on, plunge it down and make the desired cut.

### **Adjusting the revolver depth stop (FIG. L)**

After turning the revolver depth stop to the desired setting, you can fine-adjust the depth stop to be used. If you want to make several cuts with a different depth of cut, adjust each of the depth stops.

### **Setting the speed**

Set the speed control knob (3) to the required speed. Use a high speed for small diameter router bits. Use a low speed for large diameter router bits.

### **Fitting The Dust Extraction Adaptor (Fig. M)**

When it is not possible to use the edge guide, for example when routing grooves in the back panel of a bookcase to support shelves, proceed as follow:

- Select a piece of wood with a straight edge to use as a batten.
- Place the batten onto the workpiece.
- Move the batten until it is in the correct position to guide the tool.
- Securely clamp the batten to the workpiece.

### **Using the template guide (FIG. E)**

The template guide can be used to make a cutout shape from a template, for instance a letter.

- Secure the template over the workpiece with doublesided tape or 'G' clamps.
- The router bit must extend below the flange of the template guide, to cut the workpiece in the shape of the template.

### **Using the distance piece (FIG. F) (Distance piece not included)**

The distance piece can be used for trimming wooden or laminate vertical projections.

### **Using the centring pin (FIG. G) (Centring pin not included)**

The centring pin can be used to cut out circular patterns.

- Drill a hole for the point of the centring pin in the center of the circle to be cut.
- Place the router on the workpiece with the point of the centring pin in the drilled hole.
- Adjust the radius of the circle with the bars.
- The router can now be moved over the workpiece to cut out the circle.

### **Using the copy follower (FIG. H) (Copy follower not included)**

The copy follower helps to maintain an equal cutting distance along the edge of irregularly shaped workpieces.

- Place the router on the workpiece at the desired distance from the edge to be copied.
- Adjust the bars of the edge guide until the wheel is in contact with the workpiece.

### **Switching On and Off**

#### **Switching On**

- Keep the lock-off button (2) depressed and press the On/Off switch (1).
- Release the lock-off button.

#### **Switching Off**

- Release the On/Off switch.

**WARNING!** Always operate the tool with both hands. TION

## Helpful Hints

- When working on outside edges, move the tool counterclockwise (Fig. M). When working on inside edges, move the tool clockwise.
- Use HSS router bits for softwood.
- Use TCT router bits for hardwood.
- You can use the tool without a guide (Fig. O). This is useful for signwriting and creative work. Only make shallow cuts.
- Refer to the table below for common types of router bits.

### Router bits (Optional) (FIG. P)

Description	Application
Straight bit (1)	Grooves and rebates
Trimming bit (2)	Trimming laminates or hardwood; accurate profiling using a template
Rebating bit (3)	Rebates on straight or curved workpieces
V-grooving bit (4)	Grooves, engraving and decorative edge moulding
Core box bit (5)	Fluting, engraving and decorative edge moulding
Core bit (6)	Decorative edge moulding
Ogee moulding bit (7)	Decorative edge moulding
Rounding over bit (8)	Rounding over edges
Dovetail bit (9)	Dovetail joints
Chamfer bit (10)	Chamfer edges

## MAINTENANCE

Your Stanley tool has been designed to operate over a long period of time with a minimum of maintenance. continuous satisfactory operation depends upon proper tool care and regular cleaning.

**WARNING!** To minimize the danger of serious personal injury, please switch off the tool power and disconnect all plugs before adjusting or removing/ installing any accessory. Before reassembling the tool, press and release the trigger switch to make sure the tool is already switched off.

**WARNING!** Before performing any maintenance on corded/ cordless power tools:



### Lubrication

Stanley tools are properly lubricated at the factory and are ready for use.

Tools should be lubricated regularly every year depending on usage. (Tools used on heavy duty jobs and tools exposed to heat may require more frequent lubrication.) This lubrication should be attempted only by trained power tool repairperson's such as those at Stanley service centers or in other qualified service personnel.



### Cleaning

**WARNING!** Regularly clean the ventilation slots in your tool using a soft brush or dry cloth.



**WARNING!** Never use solvents or harsh chemicals to clean non-metal parts of the tool. These chemicals may weaken the material of the parts. Use only mild soap and damp cloth to clean the tool. Never let any liquid get inside the tool; never immerse any part of the tool into liquid.



**IMPORTANT!** To ensure product SAFETY and RELIABILITY, repairs, maintenance and adjustment (other than those listed in this manual) should be performed by authorized service centers or other qualified organizations, always using identical replacement parts. Unit contains no user service able parts inside.

### Optional Accessories



**WARNING!** Since accessories, other than those offered by Stanley, have not been tested with this product, use of such accessories with this tool could be hazardous. To reduce the risk of injury, only Stanley, recommended accessories should be used with this product.

The performance of any power tool is dependent upon the accessory used. Stanley accessories are engineered to high quality standards and are designed to enhance the performance of power tool. By using Stanley accessories will ensure that you get the very best from your Stanley tool. Stanley offers a large selection of accessories available at our local dealer or authorized service center at extra cost.

### Remarks

Stanley's policy is one of continuous improvement to our products and, as such, we reserve the right to change product specifications without prior notice. Standard equipment and accessories may vary by country. Product specifications may differ by country. Complete product range may not be available in all countries. Contact your local Stanley dealers for range availability.

## Protecting the Environment



Separate collection. This product must not be disposed of with normal household waste.

Should you find one day that your STANLEY product needs replacement, or if it is of no further use to you, do not dispose of it with household waste. Make this product available for separate collection.



STANLEY provides a facility for the collection and recycling of STANLEY products once they have reached the end of their working life. To take advantage of this service please return your product to any authorised repair agent who will collect them on our behalf.

You can check the location of your nearest authorised repair agent by contacting your local STANLEY office at the address indicated in this manual. Alternatively, a list of authorised STANLEY repair agents and full details of our after-sales service and contacts are available on the Internet at: [www.2helpU.com](http://www.2helpU.com).

## SERVICE INFORMATION

STANLEY offers a full network of company-owned and authorized service locations. All STANLEY Service Centers are staffed with trained personnel to provide customers with efficient and reliable power tool service. For more information about our authorized service centers and if you need technical advice, repair, or genuine factory replacement parts, contact the STANLEY location nearest you.

## TECHNICAL DATA

ROUTER		SRR1200
Voltage	V	220-240
Frequency	Hz	50/60
Power	W	1200
No-load Speed	/min (RPM)	8000 - 27000
Collet Size	mm	6mm, 6.35mm, 8mm
Cord	m	3

### Level of sound pressure according to EN 60745:

Sound pressure ( $L_{pA}$ ) 91,5 dB(A), uncertainty (K) 3 dB(A)

Sound power ( $L_{WA}$ ) 102,5 dB(A), uncertainty (K) 3 dB(A)

### Vibration emission value ah:

ah = 4,0 m/s<sup>2</sup>

uncertainty (K) = 1,5 m/s<sup>2</sup>

The declared vibration emission values stated in the technical data and the declaration of conformity have been measured in accordance with a standard test method provided by EN 60745 and may be used for comparing one tool with another. The declared vibration emission value may also be used in a preliminary assessment of exposure.



**Warning:** The vibration emission value during actual use of the power tool can differ from the declared value depending on the ways in which the tool is used. The vibration level may increase above the level stated.

When assessing vibration exposure to determine safety measures required by 2002/44/EC to protect persons regularly using power tools in employment, an estimation of vibration exposure should consider, the actual conditions of use and the way the tool is used, including taking account of all parts of the operating cycle such as the times when the tool is switched off and when it is running idle in addition to the trigger time.

## EC declaration of conformity MACHINERY DIRECTIVE



SRR1200 - Plunge Router

Stanley Europe declares that these products described under "technical data" are in compliance with: 2006/42/EC, EN 60745-1:2009 + A11:2010, EN 60745-2-17:2010

These products also comply with Directive 2014/30/EU and 2011/65/EU.

For more information, please contact Stanley Europe at the following address or refer to the back of the manual.

The undersigned is responsible for compilation of the technical file and makes this declaration on behalf of Stanley Europe.

**R.Laverick**  
Engineering Manager  
Stanley Europe, Egide Walschaertsstraat 14-18,  
2800 Mechelen, Belgium  
01.2017

## **TWO YEARS WARRANTY**

If your STANLEY product becomes defective due to faulty materials or workmanship within 24 months from the date of purchase, STANLEY guarantees to replace all defective parts free of charge or – at our discretion – replace the unit free of charge provided that:

- The product has not been misused and has been used in accordance with the instruction manual;
- The product has been subject to fair wear and tear;
- Repairs have not been attempted by unauthorized persons;
- Proof of purchase is produced.
- The STANLEY product is returned complete with all original components
- The product hasn't been used for hire purposes

If you wish to make a claim, contact your seller or check the location of your nearest authorised STANLEY repair agent in the STANLEY catalogue or contact your local STANLEY office at the address indicated in this manual. A list of authorised STANLEY repair agents and full details of our after sales service is available on the internet at: [www.2helpU.com](http://www.2helpU.com)

## Kullanım amacı

Stanley SRR1200 el frezeniz ahşap ve ahşap ürünlerini frezelemek için tasarlanmıştır. Bu alet profesyonel kullanım içindir.

## GÜVENLİK TALİMATLARI

### Elektrikli el aletleri için genel güvenlik talimatları



**UYARI!** Bütün güvenlik uyarılarını ve talimatlarını mutlaka okuyun. Bu uyarılar ve talimatların herhangi birisine uyulmaması elektrik çarpması, yangın ve/veya ciddi yaralanma riskine neden olabilir.

Bütün uyarı ve güvenlik talimatlarını ileride bakmak üzere saklayın. Uyarılarda yer alan «elektrikli alet» terimi şebeke elektrikle (kablolu) veya akü/pille (şarjlı) çalışan elektrikli aletinizi ifade etmektedir.

### 1. Çalışma alanının güvenliği

- Çalışma alanını temiz ve aydınlık tutun.** Dağınık ve karanlık alanlar kazaya davetiye çıkarır.
- Elektrikli aletleri, yanıcı sıvılar, gazlar ve tozların bulunduğu yerler gibi yanıcı ortamlarda çalıştırmayın.** Elektrikli aletler, toz veya dumanları ateşleyebilecek kıvılcımlar çıkarır.
- Bir elektrikli aleti çalıştırırken çocuklardan ve etraftaki kişilerden uzak tutun.** Dikkatinizi dağıtıcı şeyler kontrolü kaybetmenize neden olabilir.

### 2. Elektrik güvenliği

- Elektrikli aletlerin fişleri prizlere uygun olmalıdır. Fiş üzerinde kesinlikle hiçbir değişiklik yapmayın. Topraklı (topraklanmış) elektrikli aletlerde hiçbir adaptor fişi kullanmayın.** Değiştirilmemiş fişler ve uygun prizler elektrik çarpması riskini azaltacaktır.
- Borular, radyatörler, ocaklar ve buzdolapları gibi topraklanmış yüzeylerle vücut temasından kaçının.** Vücudunuzun topraklanması halinde yüksek elektrik çarpması riski vardır.
- Elektrikli aletleri yağmura maruz bırakmayın veya ıslatmayın.** Elektrikli alete su girmesi, elektrik çarpması riskini artıracaktır.
- Kablosuna zarar vermeyin. Elektrikli aleti kesinlikle kablosundan tutarak taşımayın, çekmeyin veya prizden çıkarmayın. Kabloyu sıcaktan, yağdan, keskin kenarlardan veya hareketli parçalardan uzak tutun.** Hasarlı veya dolaşmış kablolar elektrik çarpması riskini artırır.

- Elektrikli aleti açık havada kullanırken, açık hava kullanımına uygun bir uzatma kablosu kullanın.** Açık havada kullanıma uygun bir kablunun kullanılması elektrik çarpması riskini azaltır.
- Eğer bir elektrikli aleti nemli bir bölgede çalıştırması zorunluysa, bir artık akım aygıtı (RCD) korumalı bir kaynak kullanın.** Bir RCD kullanılması elektrik şoku riskini azaltır. NOT: «Artık Akım Aygıtı (RCD)» tanımı, «Kaçak Akım Koruma Cihazı (GFCI)» veya «Toprak Kaçağı Devre Kesici (ELCB)» tanımları ile değiştirilebilir.

### 3. Kişisel güvenlik

- Elektrikli bir alet kullanırken her zaman dikkatli olun, yaptığınız işe yoğunlaşın ve sağduyulu davranın. Elektrikli bir aleti yorgunken veya ilaç ya da alkolün etkisi altındayken kullanmayın.** Elektrikli aletleri kullanırken bir anlık dikkatsizlik ciddi yaralanmalara yol açabilir.
- Kişisel koruyucu ekipmanları mutlaka kullanın.** Daima koruyucu gözlük takın. Koşullara uygun toz maskesi, kaymayan güvenlik ayakkabıları, baret veya kulaklık gibi koruyucu donanımların kullanılması kişisel yaralanmaları azaltacaktır.
- İstem dışı çalıştırılmasını önleyin. Cihazı güç kaynağına ve/veya aküye bağlamadan, kaldırmadan veya taşımadan önce düğmenin kapalı konumda olduğundan emin olun.** Aleti, parmağınızı düğme üzerinde bulunacak şekilde taşımak veya açık konumdaki elektrikli aletleri elektrik şebekesine bağlamak kazaya davetiye çıkarır.
- Elektrikli aleti çalıştırmadan önce herhangi bir ayarlama anahtarını veya vida anahtarını çıkarın.** Elektrikli aletin hareketli parçasına takılı bırakılan bir vida anahtarı veya anahtar, kişisel yaralanmaya neden olabilir.
- Ulaşmakta zorlandığınız yerlerde kullanmayın. Her zaman sağlam ve dengeli basın.** Bu, beklenmedik durumlarda elektrikli aletin daha iyi kontrol edilmesine olanak tanır.
- Uygun şekilde giyinin. Bol giysiler giymeyin ve takı takmayın. Saçınızı, giysinizi ve eldivenlerinizi hareketli parçalardan uzak tutun.** Bol giysiler, takılar veya uzun saçlar hareketli parçalara takılabilir.
- Eğer kullandığınız üründe toz emme ve toplama özellikleri olan ataşmalar varsa bunların bağlı olduğundan ve doğru şekilde kullanıldığından emin olun.** Bu toz toplama ataşmaların kullanılması tozla ilgili tehlikeleri azaltabilir.

### 4. Elektrikli aletlerin kullanımı ve bakımı

- a. **Elektrikli aleti zorlamayın. Uygulamanız için doğru elektrikli aleti kullanın.** Doğru elektrikli alet, belirlendiği kapasite ayarında kullanıldığında daha iyi ve güvenli çalışacaktır.
- b. **Düğme açmıyor ve kapatmıyorsa elektrikli aleti kullanmayın.** Düğmeyle kontrol edilemeyen tüm elektrikli aletler tehlikelidir ve tamir edilmesi gerekmektedir.
- c. **Herhangi bir ayarlama, aksesuar değişimi veya elektrikli aletlerin saklanması öncesinde fişi güç kaynağından çekin.** Bu tür önleyici güvenlik tedbirleri aletin istem dışı çalıştırılması riskini azaltır.
- d. **Elektrikli aleti, çocukların ulaşamayacağı yerlerde saklayın ve elektrikli aleti tanımayan veya bu talimatları bilmeyen kişilerin elektrikli aleti kullanmasına izin vermeyin.** Elektrikli aletler, eğitimsiz kullanıcıların elinde tehlikelidir.
- e. **Elektrikli aletlerin bakımini yapın. Hareketli parçalardaki hizalama hatalarını ve tutuklukları, parçalardaki kırılmalar ve elektrikli aletin çalışmasını etkileyebilecek tüm koşulları kontrol edin. Hasarlı ise, elektrikli aleti kullanmadan önce tamir ettirin.** Kazaların çoğu, elektrikli aletlerin bakımını yeterli şekilde yapılmamasından kaynaklanır.
- f. **Kesim aletlerini keskin ve temiz tutun.** Bakımı uygun şekilde yapılmış keskin kesim uçlu kesim aletlerinin sıkışma ihtimali daha düşüktür ve kontrol edilmesi kolaydır.
- g. **Elektrikli aleti, aksesuarlarını ve aletin diğer parçalarını vs. kullanırken bu talimatlara mutlaka uyun ve elektrikli alet türü için öngörüldüğü şekilde, çalışma ortamının koşullarını ve yapılacak işin ne olduğunu göz önünde bulundurun.** Elektrikli aletin öngörülen işlemler dışındaki işlemler için kullanılması tehlikeli durumlara neden olabilir.
5. **Servis**
- a. **Elektrikli aletinizi, sadece orijinal yedek parçaların kullanıldığı yetkili servise tamir ettirin.** Bu, elektrikli aletin güvenliğinin muhafaza edilmesini sağlayacaktır.

### EL FREZELERİ İÇİN EK GÜVENLİK TALİMATLARI

- **Aletin kendi kablosuna temas edebileceği için elektrikli el aletini yalıtımlı kavrama yüzeylerinden tutun.** «Akım taşıyan» bir teli kesmesi metal kısımları «akım taşıyan» hale götürür ve operatörün çarpmasına yol açacaktır.
- **Üzerinde çalıştığınız parçayı sabitlemek ve**

**desteklemek için kelepçeler veya başka pratik yöntemler kullanın.** Parçayı elle veya vücudunuza dayamanız dengesiz durmasına neden olacaktır ve aletin kontrolünü kaybetmenize yol açabilir.

- Daima alete takılı uç giriş ölçüsüne uygun bir sap çapına sahip freze uçları kullanın.
- Daima yüksüz alet hızına uygun freze uçları kullanın.
- Hiçbir zaman çapı, teknik veri bölümünde belirtilen maksimum çapı aşan freze uçlarını kullanmayın.
- Aleti hiçbir zaman ters yönde kullanmayın.
- Aleti sabit modda kullanmaya çalışmayın.
- MDF ve kurşun bızlı boyalı yüzeyleri frezelerken özel bir dikkat gösterin.
- Kurşunlu boya tozu ve dumanlarına karşı korunma için özel olarak tasarlanmış bir toz maskesi kullanın ve çalışma alanına giren veya bu alanda bulunan kişilerin de korunduğundan emin olun.
- Çocukların veya gebe kadınların çalışma alanına girmesine izin vermeyin.
- Çalışma alanında bir şey yemeyin, herhangi bir içecek veya sigara içmeyin.
- Toz partiküllerini ve diğer moloz kalıntıları güvenli bir şekilde atın.
- Daima toz maskesi takın.
- Bu alet genç veya kuvvetsiz kişilerin gözetimsiz kullanmaları için tasarlanmamıştır. Çocuklar, aletle oynamalarının önlemek amacıyla kontrol altında tutulmalıdır.

### KİŞİSEL GÜVENLİK

- Boya zımparasının yapıldığı çalışma alanına temizlik tamamlanıncaya kadar hiçbir çocuk veya hamile kadın girmemelidir.
- Çalışma alanına giren herkes tarafından toz maskesi veya solunum korumasını kullanılmalıdır. Filtre, her gün veya kullanıcı nefes almakta zorlandığında değiştirilmelidir.

**Not: Yalnızca kurşun boya tozu ve dumanlar ile çalışmaya uygun toz maskeleri kullanılmalıdır. Genel boyama maskeleri bu korumayı sunmazlar. NIOSH tarafından onaylanmış uygun maske için yerel hırdavat satıcınıza başvurun.**

## ALET ÜZERİNDEKİ ETİKETLER

Aletin etiketinde aşağıdaki semboller bulunabilir tarih koduna göre:

	<b>UYARI!</b> Yaralanma riskini en aza indirmek için kullanıcı kullanım talimatlarını mutlaka okumalıdır.		
	Kulaklık takın.		
	Koruyucu gözlük takın.		
V	Volt		Doğru akım
A	Amper	$n_n$	Yüksüz hızı
Hz	Hertz		Çift yalıtım
W	Watt		Topraklı terminal
min	dakikalar		Güvenlik uyarı sembolü
	Dalgalı akım	/min.	Dakikada devir veya darbe sayısı

### Tarih kodu konumu (Şekil A)

İmalat yılını da içeren Tarih Kodu gövdeye basılıdır.  
Örnek:

2016 XX JN  
İmalat Yılı

## AMBALAJIN İÇERİĞİ

Ambalaj, aşağıdaki parçaları içermektedir:

- 1 El Frezesi
- 3 Uç girişi: 6mm, 6,35mm, 8mm
- 1 Kenar kılavuzu
- 2 Kenar kılavuzu çubuğu
- 1 Toz atma adaptörü
- 1 Anahtar
- 6 Freze ucu (ilave aksesuarlar, her model ile sunulmayabilir)
- 1 Kullanım kılavuzu
- Alette, parçalarda veya aksesuarlarda nakliye sırasında meydana gelmiş olabilecek hasarı kontrol edin.
- Aleti çalıştırmadan önce, bu kullanım kılavuzunu baştan sonra okuyup anlamak için gerekli zamanı ayırın.

## ELEKTRİK GÜVENLİĞİ



Bu alet çift yalıtımlıdır. Bu yüzden hiçbir topraklama kablosuna gerek yoktur. Her zaman şebeke geriliminin aletin üretim etiketinde belirlenmiş değerlere uyup uymadığını kontrol edin.



**UYARI!** Elektrik kablosu hasarlı ise, bir tehlike oluşmasını önlemek için üretici ya da yetkili Stanley Servis Merkezi tarafından değiştirilmelidir. Elektrik kablosu Stanley yetkili servisi haricinde değiştirilirse, garanti geçerli olmayacaktır.

## UZATMA KABLONUN KULLANIMI

Bir uzatma kablosu gerekli ise, bu aletin elektrik girişine uygun, onaylı bir uzatma kablo kullanın. Minimum iletken boyutu 1,5 mm<sup>2</sup>'dir. Bir kablo makarası kullanırken, kabloyu daima sonuna kadar açın.

İletken boyutu (mm <sup>2</sup> ) Kablo gücü (Amper)	İletken boyutu (mm <sup>2</sup> ) Kablo gücü (Amper)
0,75	6
1,00	10
1,50	15
2,50	20
4,00	25

Kablo uzunluğu (m)						
	7,5	15	25	30	45	60

Voltaj	Amper	Kablo gücü (Amper)					
110-127	0 - 2,0	6	6	6	6	6	10
	2,1 - 3,4	6	6	6	6	15	15
	3,5 - 5,0	6	6	10	15	20	20
220-240	5,1 - 7,0	10	10	15	20	20	25
	7,1 - 12,0	15	15	20	25	25	-
	12,1 - 20,0	20	20	25	-	-	-
220-240	0 - 2,0	6	6	6	6	6	6
	2,1 - 3,4	6	6	6	6	6	6
	3,5 - 5,0	6	6	6	6	10	15
	5,1 - 7,0	10	10	10	10	15	15
	7,1 - 12,0	15	15	15	15	20	20
	12,1 - 20,0	20	20	20	20	25	-

### ÖZELLİKLER (ŞEKİL A)

Bu alet, aşağıdaki özelliklerin bir kısmını veya tümünü içermektedir.

1. Açma/kapama düğmesi
2. Kesintisiz çalıştırma düğmesi
3. Değişken hız kontrol düğmesi
4. Piston kilitleme kolu
5. Mil kilidi düğmesi
6. Uç girişi
7. Rotatif derinlik ayarı
8. Talaş deflektörü
9. Derinlik ayar çubuğu
10. Kesim derinliği ölçeği
11. Toz atma adaptörü

### MONTAJ

**UYARI!** Kazara çalıştırmayı önlemek için aşağıdaki işlemleri yapmadan önce aleti kapatın ve fişini çekin. Bunların yapılmaması ciddi yaralanmaya yol açabilir.

#### Freze ucunun takılması (Şekil B)

- Talaş deflektörünü (8) çıkartın.
- Mil kilidi düğmesini (5) basılı tutun ve mil kilidi tamamen tutunana kadar mili döndürün.
- Verilen somun anahtarını kullanarak uç girişi somunlarını (12) gevşetin.
- Freze ucunun (13) sapını uç girişine (6) sokun. Sapın, şekilde gösterildiği gibi uç girişinden en az 3 mm dışarı çıktığından emin olun.
- Mil kilitleme düğmesini (5) basılı tutun ve uç girişi somununu (12) verilen somun anahtarını kullanarak sabitletin.

#### Kenar kılavuzunun takılması (Şekil C)

Kenar kesme kılavuzu, aleti bir kenara paralel olarak ilerletmenize yardımcı olur.

- Çubukları (14), verilen iki vidayı (16) kullanarak kenar kesme kılavuzuna (15) takın.
- Çubukları (14) gösterildiği şekilde freze tabanına sokun.

- Kenar kesme kılavuzunu istenilen mesafeye ayarlayın.
- Tespit vidalarını (17) sıkın.

#### Toz atma adaptörünün takılması (Şekil D)

Toz atma adaptörü alete bir elektrikli süpürge bağlamanızı sağlar.

- Elektrikli süpürge hortumunu (18) adaptöre (11) bağlayın.

#### Şablon siperliğinin takılması (Şekil E) (Şablon siperliği alet ile birlikte verilmemektedir)

- Şablon siperliğini (19) flanşa alt (iş parçası) tarafa, freze tabanına takın.
- Alt taraftaki iki uzun vidayı (20) şablon siperliği ve tabandaki deliklerden geçirin.
- Her bir vidanın üzerine bir somun yerleştirin ve somunları iyice sıkın.

#### Mesafe parçasının takılması (Şekil F) (Mesafe parçası alet ile birlikte verilmemektedir)

- Mesafe parçasını (21), verilen iki vidayı kullanarak frezenin tabanına takın.

#### Merkezeleme piminin takılması (Şekil G) (Merkezeleme pimi alet ile birlikte verilmemektedir)

- Merkezeleme pimini (22) verilen vida (23) ile kenar kılavuzu çubuğunun iş parçası tarafına takın ve verilen çelik düğme (23) ile sabitleyin.

#### Kopya çıkarıcı ucun takılması (Şekil H) (Kopya çıkarıcı alet ile birlikte verilmemektedir)

- Kenar kesme kılavuzunu, Şekil C'de gösterildiği şekilde frezeze takın.
- Çubuğu (24), verilen iki vida ve somunu kullanarak uç siperliğinin üst tarafına takın.
- Çubuktaki dönme ataşmanını (25) kanat düğmesi (26) ile ayarlayın.

### KULLANIM

**UYARI!** Aletin kendi hızında çalışmasına izin verin. Aşırı yüklenmeyin.

- Kaza ile kablolu kesilmesini önlemek için çalışırken kabloya dikkat edin.



## Kesim derinliğinin ayarlanması (Şekil I, J ve K)

- Kesim derinliği, derinlik ayar çubuğu (9) ile derinlik stobu (7) arasındaki "X" mesafesidir.
- Kesim derinliği aşağıda açıklandığı gibi iki farklı şekilde ayarlanabilir.

## Kesim derinliğinin ölçek kullanılarak ayarlanması (Şekil J)

- Freze ucunu yukarı açıklandığı şekilde takın.
- Kilitleme vidasını (28) gevşetin.
- Piston kilitleme kolunu (4) yukarı çekin.
- Frezeyi freze ucu çalışma parçasına dokunana kadar itin.
- Piston kilitleme kolunu (4) aşağı itin.
- İşaretçiyi (29) ölçeğin (10) üzerindeki sıfır konumuna getirin .
- İsteddiğiniz kesim derinliğini başlangıç konumuna ekleyin.
- Derinlik ayar çubuğunu (9) ölçekteki hesaplanmış konuma getirin.
- Kilitleme vidasını (28) sıkın.
- Ayarlama düğmesini (30) kullanarak ince ayar yapın.
- Piston kilitleme kolunu (4) yukarı çekin ve frezenin başlangıç konumuna dönmesine izin verin.
- Frezeyi açtıktan sonra, aşağı itin ve istediğiniz kesimi gerçekleştirin.

## Kesim derinliğinin bir parça tahta ile ayarlanması (Şekil K)

- Freze ucunu takın ve frezeyi yukarıda açıklandığı şekilde aşağı itin.
- Derinlik ayar çubuğunu (9) yukarı çekin.
- İstenilen kesim derinliği kalınlığındaki bir parça tahtayı derinlik stobu (7) ve derinlik ayar çubuğu (9) arasına yerleştirin.
- Kilitleme vidasını (28) sıkın.
- Ayarlama düğmesini (30) kullanarak ince ayar yapın.
- Tahta parçasını kaldırın.
- Piston kilitleme kolunu (4) yukarı çekin ve frezenin başlangıç konumuna dönmesine izin verin.
- Frezeyi açtıktan sonra, aşağı itin ve istediğiniz kesimi gerçekleştirin.

## Rotatif derinlik ayarının ayarlanması (Şekil L)

Rotatif derinlik ayarını istediğiniz ayara çevirdikten sonra, kullanılacak derinlik ayarına ince ayar yapabilirsiniz. Farklı kesim derinliklerine sahip birkaç kesim yapmak istiyorsanız her bir derinlik ayarını yapın.

## Hızın ayarlanması

Hız kontrol düğmesini (3) gerekli hız değerine getirin. Küçük çaplı freze uçları için yüksek bir hız kullanın. Büyük çaplı freze uçları için düşük bir hız kullanın.

## Toz atma adaptörünün takılması (Şekil M)

Kesme kılavuzunun kullanılmadığı durumlarda, örneğin kitaplığın raflarını desteklemek için arka panelindeki oyukları frezelerken, aşağıdaki şekilde devam edin:

- Takoz olarak kullanmak için düzgün kenarlı bir tahta parçası seçin.
- İş parçası üzerine bir takoz yerleştirin.
- Takozu, alete yol gösterecek doğru konuma yerleşene kadar hareket ettirin.
- Takozu iş parçasına iyice sıkıştırın.

## Şablon siperliğinin kullanılması (Şekil E)

Şablon siperliği, bir şablondan örneğin bir harf gibi kesilmiş bir şekil hazırlamak için kullanılabilir.

- Şablonu çift taraflı bir bant veya «G» kelepçeleri ile iş parçasının üzerine sabitleyin.
- İş parçasını şablon şeklinde kesmek için freze ucunun şablon siperliğinin flanşının altına kadar uzanması gerekir.

## Mesafe parçasının kullanılması (Şekil F) (Mesafe parçası alet ile birlikte verilmemektedir)

Mesafe parçası, ahşap kesmek veya dikey olarak katmanlara ayırmak için kullanılabilir.

## Merkezlleme piminin kullanılması (Şekil G) (Merkezlleme pimi alet ile birlikte verilmemektedir)

Merkezlleme pimi yuvarlak modelleri kesmek için kullanılabilir.

- Merkezlleme piminin ucu için, kesilecek dairenin merkezinde bir delik açın.
- Frezeyi, merkezlleme piminin ucu deliğe gelecek şekilde iş parçasının üzerine yerleştirin.
- Kenar kesme kılavuzunun çubukları ile dairenin yarıçapını ayarlayın.
- Freze artık daireyi kesmek için iş parçasının üzerinde hareket ettirebilir.

### Kopya çıkarıcı ucun kullanılması (Şekil H) (Kopya çıkarıcı alet ile birlikte verilmemektedir)

Kopya çıkarıcı uç, yamuk şekilli iş parçalarının kenarı boyunca eşit bir kesim mesafesi sağlamaya yardımcı olur.

- Frezeyi, kopyalanacak kenardan istediğiniz bir mesafede iş parçasının üzerine yerleştirin.
- Tekerlek, iş parçası ile temas edene kadar uç siperliğinin çubuklarını ayarlayın.

### Açılması ve kapatılması

#### Açılması

- Kesintisiz çalıştırma düğmesini (2) basılı tutarak açma/kapama düğmesine (1) basın.
- Kesintisiz çalıştırma düğmesini bırakın.

#### Kapatılması

- Açma/kapama düğmesini bırakın.

**UYARI!** Aleti daima iki elinizle tutarak çalıştırın.

### Yararlı tavsiyeler

- Dış kenarlarda çalışırken aleti saatin tersi yönde hareket ettirin (Şekil M). İç kenarlarda çalışırken, aleti saat yönünde hareket ettirin.
- Yumuşak ahşaplar için HSS freze uçlarını kullanın.
- Sert ahşaplar için TCT freze uçlarını kullanın.
- Aleti siperliksiz kullanabilirsiniz (Şekil O). Bu özgül ve yaratıcı işler için kullanışlıdır. Sadece yüzeysel kesimler yapın.
- Yaygın freze ucu tipleri için aşağıdaki tabloya bakın.

### Freze uçları (ilave aksesuar) (Şekil P)

Tanım	Uygulama
Düz uç (1)	Oyuklar alçak kısımlar
Kesme ucu (2)	Laminatlar veya sert ahşapları kesme; şablon kullanarak doğru profil oluşturma
Alçaltma ucu (3)	Düz veya kavisli iş parçalarını alçaltma
V-oyuk açma ucu (4)	Oyuklar, oyma ve dekoratif kenar kalıbı çıkarma
Çekirdek kalıbı ucu (5)	Oluk açma, oyma ve dekoratif kenar kalıbı çıkarma
Girinti ucu (6)	Dekoratif kenar kalıbı çıkarma
S biçimli kalıbı çıkarma ucu (7)	Dekoratif kenar kalıbı çıkarma
Yuvarlama ucu (8)	Kenarları yuvarlama
Kurtağzı ucu (9)	Kurtağzı eklemeleri
Pah ucu (10)	Pahlı kenarlar

### BAKIM

Stanley aletiniz minimum bakımla uzun bir süre çalışacak şekilde tasarlanmıştır. Kesintisiz olarak memnuniyet verici bir şekilde çalışması gerekli özenin gösterilmesine ve düzenli temizliğe bağlıdır.

**UYARI!** Ciddi yaralanma riskini azaltmak için herhangi bir ayar yapmadan ya da parça veya aksesuarları söküp takmadan önce aleti kapatın ve güç kaynağından ayırın. Aleti yeniden bağlamadan önce aletin kapalı olduğundan emin olmak için tetik düğmesine basıp bırakın.

**UYARI!** Elektrikli/şarjlı alet üzerinde herhangi bir bakım işlemi gerçekleştirmeden önce:



### Yağlama

Stanley el aletleri, fabrikada uygun bir şekilde yağlanmıştır ve çalışmaya hazırdır.

Aletler, kullanımına bağlı olarak, her sene düzenli bir şekilde yağlanmalıdır. (Ağır hizmet tipi işlerde kullanılan ve ısıya maruz kalan aletlere daha sık yağlama gerekebilir.) Bu yağlama sadece Stanley servislerindeki gibi eğitilmiş elektrikli el aleti tamir personeli tarafından yapılmalıdır.



### Temizleme



**UYARI!** Aletinizdeki havalandırma deliklerini yumuşak bir fırça veya kuru bir bezle düzenli olarak temizleyin.



**UYARI!** Aletin metalik olmayan parçalarını temizlemek için asla çözücü veya başka sert kimyasal kullanmayın. Bu kimyasallar bu parçalarda kullanılan malzemeleri güçsüzleştirir. Aleti temizlemek için, sadece yumuşak sabun ve nemli bir bez kullanın. Aletin içine sıvı kaçmasına kesinlikle izin vermeyin; aletin herhangi bir parçasını bir sıvı içine daldırmayın.



**ÖNEMLİ!** Alet EMNİYET GÜVENLİĞİ ve GÜVENİLİRLİK için bu kılavuzda belirtilenler dışında tamir, bakım ve ayarlamaların her zaman orijinal yedek parça kullanılarak, yetkili servisler tarafından yapılması gerekmektedir. Aletin içinde bakımı kullanıcı tarafından yapılabilecek herhangi bir parça yoktur.

### İlave Aksesuarlar



**UYARI!** Stanley tarafından tedarik veya tavsiye edilenlerin dışındaki aksesuarlar bu ürün üzerinde test edilmediğinden, söz konusu aksesuarların bu aletle birlikte kullanılması tehlikeli olabilir. Yaralanma riskini azaltmak için bu ürünle birlikte sadece Stanley tarafından tavsiye edilen aksesuarlar kullanılmalıdır.

Herhangi bir elektrikli aletin performansı kullanılan aksesuarlara bağlıdır. Stanley aksesuarları, yüksek kalite standartlarına göre üretilmiş ve elektrikli aletinizin performansını arttıracak şekilde tasarlanmıştır. Stanley aksesuarlarını kullanmak, Stanley aletinizden en iyi verimi almanızı sağlayacaktır. Stanley satış noktalarından veya yetkili servisten temin edilebilir geniş bir aksesuar çeşidi sunar.

## Notlar

Stanley politikası gibi, ürünlerimizi sürekli iyileştirme amacıyla önceden haber vermeden ürün özelliklerini değiştirme hakkını saklı tutarız. Standart ekipman ve aksesuarlar ülkeye göre değişebilir. Ürün özellikleri ülkelere göre farklı olabilir. Komple ürün çeşidi tüm ülkelerde geçerli olmayabilir. Ürün çeşidi durumu hakkında lütfen en yakın Stanley yetkili servisiyle temas kurun.

## Çevrenin korunması



Ayrı olarak atın. Bu ürün, normal evsel atıklarla birlikte atılmamalıdır.

STANLEY ürününüzün değiştirilmesi gerektiğini düşünmeniz veya artık kullanılamaz durumda olması halinde onu, evsel atıklarla birlikte atmayın. Bu ürünü, ayrı olarak toplanacak şekilde atın.



STANLEY, hizmet ömrünün sonuna ulaşan STANLEY ürünlerinin toplanması ve geri dönüşüme sokulması için bir imkân sunmaktadır. Bu hizmetin avantajlarından faydalanmak için, lütfen, ürününüzü bizim adımıza teslim alacak herhangi bir yetkili servise iade edin.

Bu kılavuzda belirtilen listeden size en yakın STANLEY yetkili tamir servisinin yerini öğrenebilirsiniz. Ya da, alternatif olarak internet'ten STANLEY yetkili tamir servislerinin listesini ve satış sonrası hizmetlerimizle ilgili tüm bilgiler ve temas bilgilerine aşağıdaki siteden ulaşabilirsiniz. [www.2helpU.com](http://www.2helpU.com)

## SERVİS BİLGİLERİ

STANLEY, kendisine ait ve yetkili servisler ile tam bir servis ağı sunmaktadır. Tüm STANLEY Servis Merkezleri müşterilere etkili ve güvenilir elektrikli el aleti hizmeti sunmak için eğitilmiş personel ile donatılmıştır. Yetkili servis merkezlerimiz hakkında daha fazla bilgi almak istiyorsanız veya teknik danışmanlık, onarım ya da orijinal fabrika yedek parçası ihtiyacınız varsa, size en yakın STANLEY satış noktasına başvurun.

## TEKNİK ÖZELLİKLERİ

EL FREZESİ	SRR1200	
Voltaj	V	220-240
Frekans	Hz	50/60
Güç	W	1200
Yüksüz hızı	dev/dak	8000 - 27000
Uç girişi	mm	6, 6,35, 8
Kablo uzunluğu	m	3

### EN 60745'e göre ses basıncı düzeyi:

Ses basıncı ( $L_{pA}$ ) 91,5 dB(A), belirsizlik (K) 3 dB(A)

Akustik güç ( $L_{WA}$ ) 102,5 dB(A), belirsizlik (K) 3 dB(A)

### Titreşim emisyon değeri ah:

ah = 4,0 m/s<sup>2</sup>

belirsizlik (K) = 1,5 m/s<sup>2</sup>

Teknik veriler ve uygunluk beyanatı içerisinde belirtilen titreşim emisyon değerleri EN60745 tarafından belirlenen standart bir test yöntemine uygun olarak ölçülmektedir ve diğer bir aletle karşılaştırma yaparken kullanılabilir. Beyan edilen titreşim emisyon değeri aynı zamanda maruz kalmanın önceden değerlendirilmesinde de kullanılabilir.



**Uyarı:** Elektrikli aletin mevcut kullanımı sırasındaki titreşim emisyon değeri, aletin kullanım yöntemine bağlı olarak, beyan edilen değere göre farklılık sergileyebilir. Titreşim düzeyi belirlenen seviyenin üzerinde artış gösterebilir.

İşyerinde düzenli olarak elektrikli alet kullanan çalışanları korumak amacıyla 2002/44/EC tarafından getirilen elektrik güvenliği önlemlerini belirlemek üzere titreşime maruz kalmayı değerlendirirken, çalışma döngüsü içerisinde örneğin aletin kapalı olduğu ve aktif durumda olmasının yanı sıra boşta çalıştığı zamanlar gibi, bütün zaman dilimleri dahil olmak üzere mevcut kullanım durumu ve aletin kullanım şekli göz önünde bulundurularak değerlendirilmelidir.

**AT Uygunluk Beyanati**  
MAKİNE DİREKTİFİ



**SRR1200 EI Frezesi**

STANLEY, «teknik özellikleri» bölümünde açıklanan bu ürünlerin aşağıda belirtilen yönergelere uygun olduğunu beyan eder: 2006/42/EC, EN 60745-1:2009 + A11:2010, EN 60745-2- 17:2010

Bu ürünler ayrıca 2014/30/EU ve 2011/65/EU Direktiflerine de uygundur.

Daha fazla bilgi için, lütfen aşağıdaki adresten STANLEY ile irtibata geçin veya kılavuzun arkasına bakın.

Bu belge altında imzası bulunan yetkili, teknik dosyanın derlenmesinden sorumludur ve bu beyanı STANLEY adına vermiştir.

**R.Laverick**

Mühendislik Bölümü Müdürü  
STANLEY , Europe, Egide Walschaertsstraat14-18,  
2800 Mechelen, Belçika  
01.2017

**İki yıl garanti**

Sahip olduğunuz STANLEY ürünü satın alma tarihinden itibaren 24 ay içinde hatalı malzeme veya işçilik nedeniyle bozulursa, STANLEY aşağıdaki şartlara uyulması koşuluyla ücretsiz olarak tüm kusurlu parçaların yenilenmesini veya -kendi inisiyatifine bağlı olarak- satın alınan ürünün değiştirilmesini garanti eder:

- Ürün, hatalı kullanılmamış kullanım kılavuzuna uygun kullanılmıştır.
- Ürün yıpranmamış, hırpalanmamış ve aşınmamıştır;
- Yetkili olmayan kişilerce tamire çalışılmamıştır.
- Satın alma belgesi (fatura) ibraz edilmiştir;
- STANLEY ürünü, tüm orijinal parçaları ile birlikte iade edilmiştir;
- Ürün kiralama amacıyla kullanılmamıştır.

Garanti talebinde bulunmak için, lütfen satıcıyla irtibata geçin veya STANLEY katalogunda belirtilen size en yakın STANLEY yetkili satıcı adresini kontrol edin veya ürünün kılavuzunda belirtilen adresteki yerel STANLEY yetkili tamir servisi ile temas kurun. İnternet'ten STANLEY yetkili tamir servislerinin listesine ve satış sonrası hizmetlerimizle ilgili tüm bilgilerine aşağıdaki siteden ulaşabilirsiniz: [www.2helpU.com](http://www.2helpU.com)

Sanayi ve Ticaret Bakanlığı tebliğince kullanım ömrü 7 yıldır.

Türkiye Distribütörü  
STANLEY BLACK&DECKER TURKEY ALET ÜRETİM SAN.  
TIC. LTD.STİ.  
Kozyatağı Mh Değirmen Sk. Nida Kule  
No:18 Kat:6 34742 Kadıköy İstanbul  
Tel : (0216) 665 29 00  
Faks : (0216) 665 29 01  
E-posta: [info-tr@sbdinc.com](mailto:info-tr@sbdinc.com)

## Назначение

Ваш фрезер Stanley SRR1200 предназначен для фрезерования древесины и изделий из дерева. Данный инструмент предназначен для профессионального использования.

## ИНСТРУКЦИИ ПО ТЕХНИКЕ БЕЗОПАСНОСТИ

Общие правила безопасности при работе с электроинструментами



**ВНИМАНИЕ!** Внимательно прочтите все инструкции по безопасности и руководство по эксплуатации.

Несоблюдение всех перечисленных ниже правил безопасности и инструкций может привести к поражению электрическим током, возникновению пожара и/или получению тяжелой травмы.

Сохраните все инструкции по безопасности и руководство по эксплуатации для их дальнейшего использования. Термин «Электроинструмент» во всех приведенных ниже указаниях относится к Вашему сетевому (с кабелем) или аккумуляторному (беспроводному) электроинструменту.

### 1. Безопасность рабочего места

- a. **Содержите рабочее место в чистоте и хорошо освещенным.** Беспорядок на рабочем месте или отсутствие освещения рабочего места может привести к аварии.
- b. **Не работайте с электроинструментом в месте хранения взрывоопасных материалов, например, в присутствии огнеопасных жидкостей, газов или пыли.** Электрические инструменты создают искры, которые могут воспламенить пыль или пары.
- c. **Дети и посторонние лица должны находиться как можно дальше во время работы с электроинструментом.** Вы можете отвлечься и потерять контроль.

### 2. Электробезопасность

- a. **Вилка электроинструмента должна соответствовать розетке. Никогда не модифицируйте вилку каким-либо образом. Не используйте никакие вилки-переходники с заземленными (замкнутыми на землю) электроинструментами. Вилки и розетки, которые не подвергались никаким изменениям снижают риск поражения электрическим током.**
- b. **Избегайте контакта тела с заземленными поверхностями, такими как трубы, радиаторы, плиты и холодильники.** Существует повышенный

риск поражения электрическим током, если ваше тело заземлено.

- c. **Избегайте любого воздействия дождя или влаги на электроинструменты.** Вода, попавшая в электроинструмент, увеличивает риск поражения электрическим током.
  - d. **Аккуратно обращайтесь со шнуром питания. Никогда не используйте шнур питания для переноски, перемещения или извлечения вилки из розетки. Держите шнур вдали от источников тепла, масла, острых краев или движущихся частей.** Поврежденные или запутанные шнуры увеличивают риск поражения электрическим током.
  - e. **При работе с электроинструментом на улице, используйте удлинитель, подходящий для наружного использования.** Использование кабеля, пригодного для использования на открытом воздухе, снижает риск поражения электрическим током.
  - f. **При необходимости работы с электроинструментом во влажной среде, используйте устройство защитного отключения (УЗО).** Использование УЗО снижает риск поражения электрическим током. ПРИМЕЧАНИЕ: Термин «устройство защитного отключения (УЗО)» может быть заменён на «аварийный прерыватель заземления» или «автоматический выключатель тока утечки».
- ### 3. Личная безопасность
- a. **Будьте внимательны, смотрите, что вы делаете, используйте здравый смысл при работе с электроинструментом. Не используйте электроинструмент, если вы устали или находитесь под влиянием наркотиков, алкоголя или лекарств.** Малейшая неосторожность при работе с электроинструментом может привести к серьезным травмам.
  - b. **Используйте средства индивидуальной защиты. Всегда надевайте защитные очки. Другое защитное оборудование, включая респиратор, ботинки на нескользящей подошве, защитный шлем или средства защиты органов слуха, используемые в надлежащих условиях, уменьшают риск получения травмы.**
  - c. **Для предотвращения случайного запуска, убедитесь, что переключатель находится в выключенном положении перед подключением к источнику питания и/или аккумуляторной батарее, поднятия или переноски инструмента.** Не переносите электроинструмент с пальцем на выключателе и не включайте питание на инструмент с включенным выключателем, что может привести к несчастному случаю.

- d. **Перед включением электроинструмента снимайте регулировочный или гаечный ключ.** Гаечный или регулировочный ключ, оставленный на вращающейся части электроинструмента, может привести к травме.
- e. **Не тянитесь. Сохраняйте правильную стойку и баланс все время.** Это позволяет лучше контролировать инструмент в неожиданных ситуациях.
- f. **Одевайтесь правильно. Не надевайте свободную одежду или украшения. Держите волосы, одежду и перчатки вдали от движущихся частей.** Свободная одежда, украшения или длинные волосы могут попасть в движущиеся части.
- g. **Если имеются устройства для подключения пылесборника или вытяжки, убедитесь в том, что они подсоединены и используются правильно.** Использование пылесборника снижает вероятность возникновения рисков, связанных с пылью.
- #### 4. Использование и уход за электроинструментом
- a. **Не перегружайте электроинструмент. Используйте подходящий электрический инструмент для соответствующего применения.** Правильно подобранный электроинструмент позволит выполнить работу лучше и безопаснее при скорости, для которой он был разработан.
- b. **Не используйте электроинструмент, если переключатель не может его включить и выключить.** Любой электроинструмент, который нельзя контролировать с помощью переключателя, опасен и должен быть отремонтирован.
- c. **Отключите кабель питания от источника питания и/или аккумуляторный блок от электрического инструмента перед выполнением любых регулировок, замены принадлежности или при хранении электроинструмента.** Такие профилактические меры безопасности уменьшают риск непреднамеренного запуска электрического инструмента.
- d. **Храните неиспользуемые электроинструменты в недоступном для детей месте и не позволяйте лицам, не знакомым с электроинструментом или данными инструкциями, работать с электроинструментом.** Электроинструменты опасны в руках неопытных пользователей.
- e. **Поддержание электроинструмента. Проверяйте разрегулированность или соединение подвижных частей, поломки частей и любые другие условия, которые могут повлиять на работу электроинструмента. При наличии повреждения, отремонтируйте электроинструмент перед использованием.** Многие несчастные случаи являются следствием плохого ухода за электроинструментом.
- f. **Держите режущий инструмент острым и чистым.** Хорошо ухоженный режущий инструмент с острыми режущими кромками легче контролировать.
- g. **Используйте электроинструмент, принадлежности, насадки и т.д. в соответствии с этими инструкциями, принимая во внимание рабочие условия и характер выполняемой работы.** Использование электроинструмента иным способом может привести к опасным ситуациям.
- #### 5. Обслуживание
- a. **Обеспечьте, чтобы обслуживание и ремонт вашего электроинструмента проводился в авторизованном сервисном центре по ремонту с использованием только оригинальных запасных частей.** Это станет гарантией безопасности электроинструмента.

### ДОПОЛНИТЕЛЬНЫЕ ПРАВИЛА БЕЗОПАСНОСТИ ПРИ РАБОТЕ ФРЕЗЕРАМИ

- **Держите электроинструмент за изолированные поверхности, поскольку фреза может задеть собственный кабель.** Разрезание находящегося под напряжением провода делает не покрытые изоляцией металлические части электроинструмента «живыми», что создает опасность поражения электрическим током.
- **Используйте струбины или другие приспособления для фиксации обрабатываемой детали, устанавливая их только на неподвижной поверхности.** Если держать обрабатываемую деталь руками или с упором в собственное тело, то можно потерять контроль над инструментом или обрабатываемой деталью.
- Диаметр хвостовика используемой фрезы должен соответствовать размерам цангового патрона Вашего фрезера.
- Используйте только фрезы, пригодные для скорости вращения без нагрузки данного фрезера.

- Ни в коем случае не используйте фрезы диаметром больше максимального диаметра, указанного в разделе «Технические характеристики».
- Не используйте фрезер в перевернутом положении.
- Не пытайтесь использовать Ваш фрезер в стационарном режиме.
- Соблюдайте особую осторожность при фрезеровании ДСП или поверхностей, покрытых красками на свинцовой основе.
- Надевайте респиратор, специально разработанный для защиты от пыли и паров, выделяемых красками на свинцовой основе, и следите, чтобы лица, находящиеся в рабочей зоне, также были обеспечены средствами индивидуальной защиты.
- Не позволяйте детям или беременным женщинам находиться в рабочей зоне.
- Не принимайте пищу, не пейте и не курите в рабочей зоне.
- Удаляйте частицы пыли и прочие отходы безопасным для окружающей среды способом.
- Всегда надевайте респиратор.
- Использование инструмента детьми и неопытными лицами допускается только под контролем ответственного за их безопасность лица. Не позволяйте детям играть с инструментом.

## ЛИЧНАЯ БЕЗОПАСНОСТЬ

- Не допускайте детей или беременных женщин в рабочую зону, где выполняется шлифование окрашенных поверхностей до тех пор, пока рабочая зона не будет полностью очищена.
- Все люди, входящие в рабочую зону, должны надевать пылезащитные маски или респираторы. Фильтр следует заменять ежедневно или по мере его загрязнения.

**Примечание: Следует использовать только те пылезащитные маски, которые предназначены для работы с пылью и парами красок, содержащих свинец. Обычные маски для лакокрасочных работ не обеспечивают достаточной защиты. Купите в строительном магазине респиратор, утверждённого Национальным институтом США по охране труда и промышленной гигиене (NIOSH) типа.**

## МАРКИРОВКА ИНСТРУМЕНТА

На приборе имеются следующие знаки по коду даты:

	<b>ВНИМАНИЕ!</b> Полное ознакомление с руководством по эксплуатации перед использованием инструмента снизит риск получения травмы.		
	Используйте средства защиты органов слуха.		
	Надевайте защитные очки или маску.		
V	Вольт	===	Постоянный ток
A	Ампер	n <sub>0</sub>	Скорость без нагрузки
Hz	Герц		Конструкция Класса II
W	Ватт		Клемма заземления
min	минут		Символ опасности
	Переменный ток	/min.	Кол-во оборотов или шагов в минуту

### Место положения кода даты (Рис. А)

Код даты, который также включает в себя год изготовления, отштампован на поверхности корпуса инструмента.

Пример:

2016 XX JN  
Год изготовления

## КОМПЛЕКТ ПОСТАВКИ

В упаковку входят:

- 1 Фрезер
- 3 Цанговых патрона: 6 мм, 6,35 мм и 8 мм
- 1 Направляющая для кромки
- 2 Стержня направляющей для кромки
- 1 Переходник для подключения устройства пылеудаления
- 1 Ключ
- 6 Фрез (дополнительные принадлежности; могут отсутствовать в комплекте поставки)
- 1 Руководство по эксплуатации

- Проверьте инструмент, детали и дополнительные приспособления на наличие повреждений, которые могли произойти во время транспортировки.
- Перед началом работы необходимо внимательно прочитать настоящее руководство и принять к сведению содержащуюся в нем информацию.

## ЭЛЕКТРОБЕЗОПАСНОСТЬ



Данный инструмент защищён двойной изоляцией, что исключает потребность в заземляющем проводе. Всегда проверяйте, соответствует ли напряжение, указанное на табличке с техническими параметрами, напряжению электросети.



**ВНИМАНИЕ!** Во избежание повреждений или получения травмы, замена повреждённого кабеля питания должна производиться только на заводе-изготовителе, в авторизованном сервисном центре Stanley или квалифицированным персоналом. При замене кабеля питания квалифицированным лицом, но не имеющим авторизацию Stanley, гарантия на продукт будет недействительной.

## ИСПОЛЬЗОВАНИЕ УДЛИНИТЕЛЬНОГО КАБЕЛЯ

При необходимости использования удлинительного кабеля, используйте только утверждённые кабели промышленного изготовления, рассчитанные на мощность не меньшую, чем потребляемая мощность данного инструмента. Минимальный размер проводника должен составлять 1,5 мм<sup>2</sup>. При использовании кабельного барабана, всегда полностью разматывайте кабель.

Поперечное сечение проводника (мм <sup>2</sup> ) Номинал кабеля (Ампер)	Поперечное сечение проводника (мм <sup>2</sup> ) Номинал кабеля (Ампер)
0,75	6
1,00	10
1,50	15
2,50	20
4,00	25

Длина кабеля (м)						
	7,5	15	25	30	45	60

Напряжение	Ампер	Номинал кабеля (Ампер)					
		6	6	6	6	6	10
110-127	0 - 2,0	6	6	6	6	6	10
	2,1 - 3,4	6	6	6	6	15	15
	3,5 - 5,0	6	6	10	15	20	20
	5,1 - 7,0	10	10	15	20	20	25
	7,1 - 12,0	15	15	20	25	25	-
220-240	12,1 - 20,0	20	20	25	-	-	-
	0 - 2,0	6	6	6	6	6	6
	2,1 - 3,4	6	6	6	6	6	6
	3,5 - 5,0	6	6	6	6	10	15
	5,1 - 7,0	10	10	10	10	15	15
	7,1 - 12,0	15	15	15	15	20	20
	12,1 - 20,0	20	20	20	20	25	-

## ОПИСАНИЕ (Рис. А)

Данный инструмент может содержать все или некоторые из перечисленных ниже составных частей:

1. Пусковой выключатель
2. Кнопка защиты от непреднамеренного пуска
3. Поворотный переключатель скорости вращения электродвигателя
4. Рычаг стопора
5. Кнопка блокировки шпинделя
6. Цанговый патрон
7. Револьверный ограничитель глубины фрезерования
8. Щиток для отвода опилок
9. Шток ограничителя глубины
10. Шкала глубины фрезерования
11. Переходник для подключения устройства пылеудаления

## СБОРКА

**ВНИМАНИЕ!** Чтобы избежать случайного включения, перед проведением нижеследующих действий выключите инструмент и отсоедините его от источника питания. Несоблюдение этого требования может привести к получению тяжёлой травмы.



## Установка фрезы (Рис. В)

- Снимите с инструмента щиток для отвода опилок (8).
- Удерживая нажатой кнопку блокировки шпинделя (5), поворачивайте шпиндель до его ощутимой фиксации.
- Ослабьте гайку цангового патрона (12) входящим в комплект поставки гаечным ключом.
- Вставьте хвостовик фрезы (13) в цанговый патрон (6). Убедитесь, что хвостовик выступает из цангового патрона минимум на 3 мм, как показано на рисунке.
- Удерживая нажатой кнопку блокировки шпинделя (5), затяните гайку (12) цангового патрона входящим в комплект поставки гаечным ключом.

## Установка направляющей для кромки (Рис. С)

Направляющая для кромки позволяет вести фрезер параллельно кромке заготовки.

- Вставьте стержни (14) в направляющую (15), используя 2 винта (16), входящие в комплект поставки.
- Вставьте стержни (14) в основание фрезера, как показано на рисунке.
- Установите направляющую на необходимом расстоянии.
- Затяните установочные винты (17).

## Установка переходника для подключения устройства пылеудаления (Рис. D)

- Переходник позволяет подключить к фрезеру пылесос.
- Подключите шланг пылесоса (18) к переходнику (11).

## Установка направляющей для шаблона (Рис. Е) (Направляющая для шаблона не входит в комплект поставки)

- Установите направляющую для шаблона (19) на основание фрезера, чтобы втулка была направлена в сторону обрабатываемой заготовки.
- Вставьте оба длинных крепежных винта (20) с нижней стороны направляющей в отверстия в основании.
- На каждый винт наверните гайку и надежно затяните.

## Установка подкладки (Рис. F) (Подкладки не входит в комплект поставки инструмента)

Установите подкладку (21) под основание фрезера с помощью входящих в комплект поставки винтов.

## Установка центрирующего штифта (Рис. G) (Центрирующий штифт не входит в комплект поставки инструмента)

- Установите центрирующий штифт (22) на стержни направляющей со стороны заготовки и затяните его при помощи входящей в комплект поставки стальной рукоятки (23).

## Установка роликового копира (Рис. H) (Роликовый копир не входит в комплект поставки инструмента)

- Установите направляющую на фрезер, как показано на Рисунке С.
- Установите кронштейн (24) на верхней стороне направляющей, используя оба входящих в комплект поставки винта с гайками.
- Закрепите роликовую насадку (25) на кронштейне барашковым винтом (26).

## ЭКСПЛУАТАЦИЯ

**ВНИМАНИЕ!** Не форсируйте рабочий процесс. Избегайте перегрузки инструмента.

- Следите за положением кабеля, чтобы случайно его не разрезать.

## Установка глубины фрезерования (Рис. I, J и K)

- Глубина фрезерования равна зазору «Х» между штоком ограничителя глубины (9) и винтовым упором (7) ограничителя глубины фрезерования.
- Глубину фрезерования можно установить двумя различными способами, описанными ниже.

## Настройка глубины фрезерования с помощью шкалы (Рис. J)

- Установите фрезу, как было описано выше.
- Ослабьте установочный винт (28).
- Переведите рычаг стопора (4) в верхнее положение.
- Направляйте фрезер вниз до момента, пока фреза не войдет в контакт с обрабатываемой заготовкой.

- Переведите рычаг стопора (4) в нижнее положение.
- Двигая указатель (29), установите его на ноль по шкале (10).
- Приплюсуйте величину необходимой глубины фрезерования к начальной позиции.
- Передвиньте шток ограничителя глубины (9) по шкале на расчетную позицию.
- Затяните установочный винт (28).
- Произведите точное регулирование регулировочной рукояткой (30).
- Переведите рычаг стопора (4) в верхнее положение и верните фрезер в исходное положение.
- После включения фрезера, направьте его вниз, и фрезеруйте в соответствии с установленными Вами параметрами.

### Регулирование глубины фрезерования с помощью деревянного бруска (Рис. К)

- Установите фрезу и направьте её вниз, как описано выше.
- Поднимите шток ограничителя глубины (9) вверх.
- Между винтовым упором (7) ограничителя глубины фрезерования и штоком (9) установите деревянный брусок, толщина которого равна необходимой глубине фрезерования.
- Затяните установочный винт (28).
- Произведите точное регулирование регулировочной рукояткой (30).
- Удалите деревянный брусок.
- Переведите рычаг стопора (4) в верхнее положение и верните фрезер в исходное положение.
- После включения фрезера, направьте его вниз, и фрезеруйте в соответствии с установленными Вами параметрами.

### Регулировка револьверного ограничителя глубины фрезерования (Рис. L)

Повернув револьверный ограничитель глубины фрезерования на необходимый угол, Вы можете произвести точное регулирование его винтового упора. Если Вам необходимо сделать несколько прорезов с различными глубинами фрезерования, настройте каждый винтовой упор на соответствующую глубину.

### Установка скорости вращения фрезы

Поворачивая переключатель скорости (3), установите необходимую скорость вращения электродвигателя. Для фрез малого диаметра используйте большую скорость. Для фрез большого диаметра используйте малую скорость вращения.

### Установка переходника для подключения устройства пылеудаления (Рис. M)

Когда необходимо использование направляющей для кромки, например, при вырезании пазов на задних панелях шкафов для дополнительной поддержки полок, действуйте следующим образом:

- Выберите деревянный брусок с прямым краем, чтобы использовать его в качестве рейки.
- Расположите рейку на заготовку.
- Перемещайте рейку до тех пор, пока она не займёт правильное положение для ведения инструмента.
- При помощи зажима надёжно закрепите рейку на заготовке.

### Использование направляющей по шаблону (Рис. E)

Направляющая вставка может использоваться для вырезания фасонных фигур (например, букв) по соответствующему шаблону.

- С помощью двусторонней липкой ленты или струбцин зафиксируйте шаблон на поверхности обрабатываемой заготовки.
- Фреза должна выступать за пределы втулки направляющей вставки, чтобы фрезеровать обрабатываемую заготовку, повторяя форму шаблона.

### Использование подкладки (Рис. F) (Подкладки не входит в комплект поставки инструмента)

Подкладки можно использовать при фрезеровании вертикальных выступов заготовок из древесины или многослойных материалов.

### Использование центрирующего штифта (Рис. G) (Центрирующий штифт не входит в комплект поставки инструмента)

Центрирующий штифт можно использовать для фрезерования по кругу.

- Просверлите отверстие для заостренной стороны центрирующего штифта в центре вырезаемой окружности.

- Установите фрезер на обрабатываемую заготовку, при этом заостренная сторона центрирующего штифта должна находиться в просверленном отверстии.
- Установите необходимый радиус окружности, используя стержни параллельной направляющей.
- Для вырезания окружности передвигайте фрезер по поверхности обрабатываемой заготовки.

### Использование роликового копира (Рис. Н) (Роликовый копир не входит в комплект поставки инструмента)

Роликовый копир позволяет поддерживать постоянную дистанцию резания вдоль кромки обрабатываемой заготовки с непредсказуемыми очертаниями.

- Установите фрезер на обрабатываемую заготовку на необходимом расстоянии от копируемой кромки.
- Передвиньте стержни параллельной направляющей, чтобы ролик коснулся края обрабатываемой заготовки.

### Включение и выключение

#### Включение

- Нажмите и удерживайте кнопку защиты от непреднамеренного пуска (2), затем нажмите на клавишу пускового выключателя (1).
- Отпустите кнопку блокировки пускового выключателя.

#### Выключение

- Отпустите клавишу пускового выключателя (1).

**ВНИМАНИЕ!** Всегда удерживайте инструмент обеими руками.

- Рекомендации по оптимальному использованию
- При обработке внешних кромок заготовки, двигайте фрезер в направлении против часовой стрелки (Рис. М). При обработке внутренних кромок заготовки, двигайте фрезер в направлении по часовой стрелке.
- Для мягкой древесины используйте фрезы из быстрорежущей (инструментальной) стали.
- Для древесины твердых пород используйте фрезы с напаянными пластинами из твердого сплава.
- Вы также можете использовать фрезер без направляющих принадлежностей (Рис. О). Это создаст удобство при вырезании букв на табличках и при выполнении творческих работ. Делайте при этом только неглубокие вырезы.
- В расположенной ниже таблице приведены основные типы фрез.

### Фрезы (дополнительные принадлежности) (Рис. Р)

Описание	Область применения
Торцевая прямоугольная фреза (1)	Пазы, фальцы
Подрезная фреза (2)	Обработка многослойной древесины и древесины твердых пород; высокоточные копировально-профильные работы с использованием шаблонов
Фальцевая фреза (3)	Прямолинейные и криволинейные фальцы
V-образная пазовая фреза (4)	Пазы, гравюры, декоративная обработка кромок
Керновая фреза (5)	Рифления, гравюры и декоративная обработка кромок
Калевочная фреза (6)	Декоративная обработка кромок
Арочная фреза (7)	Декоративная обработка кромок
Галтельная фреза (8)	Закругленные кромки
Фреза «ласточкин хвост» (9)	Соединение «ласточкин хвост»
Фасочная фреза (10)	Скошенные кромки

### ТЕХНИЧЕСКОЕ ОБСЛУЖИВАНИЕ

Ваш инструмент Stanley рассчитан на работу в течение продолжительного времени при минимальном техническом обслуживании. Срок службы и надёжность инструмента увеличивается при правильном уходе и регулярной чистке.

**ВНИМАНИЕ!** Для снижения риска получения серьёзной травмы, перед регулировкой или снятием/установкой насадок выключайте инструмент и отсоединяйте его от электросети.

Перед повторной сборкой инструмента нажмите и отпустите пусковой выключатель, чтобы убедиться, что инструмент действительно выключен.

**ВНИМАНИЕ!** Перед проведением технического обслуживания электрического/аккумуляторного инструмента:



#### Смазка

Инструменты Stanley смазаны должным образом на производстве и готовы к использованию.

Инструменты должны регулярно смазываться каждый год, в зависимости от интенсивности использования. (Инструменты, используемые в тяжёлом режиме, и инструменты, подвергающиеся влиянию высоких температур, должны смазываться более часто). Смазка инструмента должна производиться только обученным персоналом по ремонту электроинструментов, например, в авторизованном сервисном центре Stanley.



## Чистка



**ВНИМАНИЕ!** Регулярно очищайте вентиляционные отверстия Вашего инструмента мягкой щёткой или сухой тканью.



**ВНИМАНИЕ!** Никогда не используйте растворители или агрессивные химические средства для очистки неметаллических деталей инструмента. Эти химикаты могут ухудшить свойства материалов, применённых в данных деталях. Для чистки инструмента используйте только слабый мыльный раствор и влажную ткань. Не допускайте попадания какой-либо жидкости внутрь инструмента; ни в коем случае не погружайте какую-либо часть инструмента в жидкость.



**ВАЖНО!** В целях обеспечения **БЕЗОПАСНОСТИ** и **ДОЛГОВЕЧНОСТИ** в использовании продукта ремонт, техническое обслуживание и регулировка (кроме перечисленных в данном руководстве по эксплуатации) должны производиться только в авторизованных сервисных центрах или других квалифицированных мастерских и только с использованием идентичных запасных частей. Внутри инструмента нет обслуживаемых пользователем деталей.

## Дополнительные принадлежности



**ВНИМАНИЕ!** Поскольку принадлежности, отличные от тех, которые предлагает Stanley, не проходили тесты на данном изделии, то использование этих принадлежностей может привести к опасной ситуации. Во избежание риска получения травмы, с данным продуктом должны использоваться только дополнительные принадлежности, рекомендованные Stanley.

Производительность любого электроинструмента напрямую зависит от того, какие дополнительные принадлежности с ним используются. Принадлежности Stanley изготовлены в соответствии с самыми высокими стандартами качества и способны увеличить производительность вашего электроинструмента. Использование принадлежностей Stanley гарантирует самые наилучшие результаты в работе Вашего инструмента Stanley. Stanley представляет широкий выбор насадок и дополнительных принадлежностей, которые можно приобрести за дополнительную плату у местного дилера или в авторизованном сервисном центре.

## Примечания

Политика Stanley нацелена на постоянное усовершенствование нашей продукции, поэтому фирма оставляет за собой право изменять технические характеристики изделий без предварительного уведомления. Стандартное оборудование и дополнительные принадлежности могут меняться в зависимости от страны продаж. Технические характеристики продуктов могут различаться в зависимости от страны продаж. Полная линия продуктов присутствует на рынках не всех стран. Для получения информации касательно линии продуктов в Вашей стране обратитесь в ближайший сервисный центр Stanley.

## Защита окружающей среды



Раздельный сбор. Данное изделие нельзя утилизировать вместе с обычными бытовыми отходами.

Если однажды Вы захотите заменить Ваш электроинструмент STANLEY, или Вы больше в нем не нуждаетесь, не выбрасывайте его вместе с бытовыми отходами. Отнесите изделие в специальный приемный пункт.



Фирма STANLEY обеспечивает прием и переработку отслуживших свой срок изделий STANLEY. Чтобы воспользоваться этой услугой, Вы можете сдать Ваше изделие в любой авторизованный сервисный центр, который собирает их по нашему поручению. Вы можете узнать место нахождения Вашего

ближайшего авторизованного сервисного центра, обратившись в Ваш местный офис STANLEY по адресу, указанному в данном руководстве по эксплуатации. Кроме того, список авторизованных сервисных центров STANLEY и полную информацию о нашем послепродажном обслуживании и контактах Вы можете найти в интернете по адресу: [www.2helpU.com](http://www.2helpU.com).

## ИНФОРМАЦИЯ ПО ТЕХНИЧЕСКОМУ ОБСЛУЖИВАНИЮ

STANLEY имеет обширную сеть принадлежащих компании и авторизованных сервисных центров. В целях предоставления клиентам эффективного и надёжного технического обслуживания электроинструментов во всех сервисных центрах STANLEY работает обученный персонал. За дополнительной информацией о наших авторизованных сервисных центрах, а также, если Вы нуждаетесь в технической консультации, ремонте или покупке оригинальных запасных частей, обратитесь в ближайший к Вам сервисный центр STANLEY.

## ТЕХНИЧЕСКИЕ ХАРАКТЕРИСТИКИ

ФРЕЗЕР		SRR1200
Напряжение	В	220-240
Частота	Гц	50/60
Мощность	Вт	1200
Число оборотов без нагрузки	об/мин.	8000 - 27000
Размер цангового патрона	мм	6, 6,35, 8
Длина кабеля	м	3

# STANLEY

## Гарантийные условия

### Уважаемый покупатель!

1. Поздравляем Вас с покупкой высококачественного изделия STANLEY и выражаем признательность за Ваш выбор.
2. При покупке изделия требуйте проверки его комплектности и исправности в Вашем присутствии, инструкцию по эксплуатации и заполненный гарантийный талон на русском языке.

В гарантийном талоне должны быть внесены: модель, дата продажи, серийный номер, дата производства инструмента; название, печать и подпись торговой организации. При отсутствии у Вас правильно заполненного гарантийного талона, а также несоответствия указанных в нем данных мы будем вынуждены отклонить Ваши претензии по качеству данного изделия.

3. Во избежание недоразумений убедительно просим Вас перед началом работы с изделием внимательно ознакомиться с инструкцией по его эксплуатации. Правовой основой настоящих гарантийных условий является действующее Законодательство. Гарантийный срок на данное изделие составляет 24 месяца и исчисляется со дня продажи. В случае устранения недостатков изделия, гарантийный срок продлевается на период его нахождения в ремонте. Срок службы изделия составляет 5 лет со дня продажи.
4. В случае возникновения каких-либо проблем в процессе эксплуатации изделия рекомендуем Вам обратиться только в уполномоченные сервисные центры STANLEY, адреса и телефоны которых Вы сможете найти в гарантийном талоне, на сайте [www.2helpU.com](http://www.2helpU.com) или узнать в магазине. Наши сервисные станции - это не только квалифицированный ремонт, но и широкий ассортимент запчастей и принадлежностей.
5. Производитель рекомендует проводить периодическую проверку и техническое обслуживание изделия в уполномоченных сервисных центрах.



Изготовитель

Блэк энд Деккер Холдингс ГмбХ  
Германия, 65510, Идштайн,  
ул. Блэк энд Деккер, 40

6. Наши гарантийные обязательства распространяются только на неисправности, выявленные в течение гарантийного срока и вызванные дефектами производства и \ или материалов.
7. **Гарантийные условия не распространяются на неисправности изделия, возникшие в результате:**
  - 7.1. Несоблюдения пользователем предписаний инструкции по эксплуатации изделия, применения изделия не по назначению, неправильном хранении, использования принадлежностей, расходных материалов и запчастей, не предусмотренных производителем.
  - 7.2. Механического повреждения (сколы, трещины и разрушения) внутренних и внешних деталей изделия, основных и вспомогательных рукояток, сетевого электрического кабеля, вызванного внешним ударным или любым иным воздействием
  - 7.3. Попадания в вентиляционные отверстия и проникновение внутрь изделия посторонних предметов, материалов или веществ, не являющихся отходами, сопровождающими применение изделия по назначению, такими как: стружка, опилки, песок, и пр.
  - 7.4. Воздействий на изделие неблагоприятных атмосферных и иных внешних факторов, таких как дождь, снег, повышенная влажность, нагрев, агрессивные среды, несоответствие параметров питающей электросети, указанных на инструменте.
  - 7.5. Стихийного бедствия. Повреждение или утрата изделия, связанное с непредвиденными бедствиями, стихийными явлениями, в том числе вследствие действия непреодолимой силы (пожар, молния, потоп и другие природные явления), а так же вследствие перепадов напряжения в электросети и другими причинами, которые находятся вне контроля производителя.
8. **Гарантийные условия не распространяются:**
  - 8.1. На инструменты, подвергавшиеся вскрытию, ремонту или модификации вне уполномоченного сервисного центра.
  - 8.2. На детали и узлы, имеющие следы естественного износа, такие как: приводные ремни и колеса, угольные щетки, смазка, подшипники, зубчатое зацепление редукторов, резиновые уплотнения, сальники, направляющие ролики, муфты, выключатели, бойки, толкатели, стволы, и т.п.
  - 8.3. На сменные части: патроны, цанги, зажимные гайки и фланцы, фильтры, аккумуляторные батареи, ножи, шлифовальные подошвы, цепи, звездочки, пильные шины, защитные кожухи, пилки, абразивы, пильные и абразивные диски, фрезы, сверла, буры и т.п.
  - 8.4. На неисправности, возникшие в результате перегрузки инструмента (как механической, так и электрической), повлекшей выход из строя одновременно двух и более деталей и узлов, таких как: ротора и статора, обеих обмоток статора, ведомой и ведущей шестерни редуктора или других узлов и деталей. К безусловным признакам перегрузки изделия относятся, помимо прочих: появление цветов побежалости, деформация или оплавление деталей и узлов изделия, потемнение или обугливание изоляции проводов электродвигателя под воздействием высокой температуры.

## Призначення

Погружна фрезерувальна машина SRR1200 виробництва Stanley призначена для фрезерування деревини та виробів з неї. Цей інструмент призначений тільки для використання професійного.

## Вказівки з техніки безпеки



### Загальні попередження з техніки безпеки

**Увага! Уважно прочитайте всі застереження з техніки безпеки і вказівки.**

Порушення наведених нижче попереджувальних написів і вказівок може призвести до ураження електричним струмом, пожежі та (або) серйозних травм.

Збережіть усі застереження з техніки безпеки і вказівки для подальшого використання. Термін «електричний інструмент», що використовується в усіх наведених нижче застереженнях з техніки безпеки і вказівках, стосується цього електричного інструмента з живленням від мережі (через шнур живлення) чи від акумуляторної батареї (без шнура живлення).

### 1. Безпека робочого місця

- a. **Утримуйте робоче місце в чистоті і добре освітленим.** Безлад на робочому місці або відсутність освітлення робочого місця може призвести до аварії.
- b. **Не працюйте з електроінструментом в місці зберігання вибухонебезпечних матеріалів, наприклад, у присутності легкозаймистих рідин, газів або пилу.** Електричні інструменти створюють іскри, що можуть запалити пил або пари.
- c. **Діти і сторонні особи повинні знаходитися якнайдалі під час роботи з електроприладами.** Ви можете відволіктися і втратити контроль.

### 2. Електробезпека

- a. **Вилка електроінструмента повинна відповідати розетці. Ніколи не змінюйте вилку будь-яким чином. Не використовуйте ніякі вилки-перехідники з заземленими (замкнутими на землю) електроінструментами.** Вилки і розетки, які не піддавалися ніяким змінам знижують ризик ураження електричним струмом.
- b. **Уникайте контакту тіла з заземленими поверхнями, такими як труби, радіатори, плити та холодильники.** Існує підвищений ризик ураження електричним струмом, якщо ваше тіло заземлене.
- c. **Уникайте будь-якого впливу дощу або вологи на електроінструменти.** Вода, що потрапила в електроінструмент, збільшує ризик ураження

електричним струмом.

- d. **Обережно поводьтеся зі шнуром живлення. Ніколи не використовуйте шнур живлення для перенесення, переміщення або вилучення вилки з розетки. Тримайте шнур подалі від джерел тепла, масла, гострих країв або рухомих частин.** Пошкоджені або заплутані шнури збільшують ризик ураження електричним струмом.
  - e. **При роботі з електроінструментом на вулиці, використовуйте подовжувач, відповідний для зовнішнього використання.** Використання кабелю, придатного для використання на відкритому повітрі, знижує ризик ураження електричним струмом.
  - f. **При необхідності роботи з електроінструментом у вологому середовищі, використовуйте пристрій захисного відключення (ПЗВ).** Використання ПЗВ знижує ризик ураження електричним струмом.
- ### 3. Особиста безпека
- a. **Будьте уважні, дивіться, що ви робите, використовуйте здоровий глузд при роботі з електроприладами. Не використовуйте електроінструмент, якщо ви втомилися або перебуваєте під впливом наркотиків, алкоголю або ліків.** Найменша необережність при роботі з електроінструментом може призвести до серйозних травм.
  - b. **Використовуйте засоби індивідуального захисту. Завжди надягайте захисні окуляри.** Інше захисне обладнання, включаючи респіратор, черевики на нековзній підшві, захисний шолом або засоби захисту органів слуху, використовувати в належних умовах, зменшать ризик отримання травм.
  - c. **Для запобігання випадкового запуску, переконайтеся, що перемикач знаходиться у вимкненому положенні перед підключенням до джерела живлення та/або акумуляторної батареї, підняття або перенесення інструменту.** Не переносьте електроінструмент з пальцем на вимикачі і не включайте електроживлення на інструмент з увімкненим вимикачем, що може призвести до нещасного випадку.
  - d. **Перед включенням електроінструменту знімайте регульовальний або гайковий ключ.** Гайковий або регульовальний ключ, залишений на обертвовій частині електроінструменту, може призвести до травм.
  - e. **Не тягніться. Зберігайте правильну стійку і баланс весь час.** Це дозволяє краще контролювати інструмент в несподіваних ситуаціях.

f. Одягайтеся правильно. Не надягайте вільний одяг або прикраси. Тримайте волосся, одяг і рукавички далеко від рухомих частин. Вільний одяг, прикраси або довге волосся можуть потрапити в рухомі частини.

g. Якщо є пристрій для підключення пилосбірника або витяжки, переконайтеся в тому, що вони під'єднані і використовуються правильно. Використання пилосбірника знижує ймовірність виникнення ризиків, пов'язаних з пилом.

#### 4. Використання та догляд за електроінструментом

a. Не перевантажуйте електроінструмент. Використовуйте відповідний електричний інструмент для відповідного застосування. Правильно підібраний електроінструмент дозволить виконати роботу краще і безпечніше при швидкості, для якої він був розроблений.

b. Не використовуйте електроінструмент, якщо перемикач не може його вклучити і вимкнути. Будь-який електроінструмент, який не можна контролювати за допомогою перемикача, є небезпечний і повинен бути відремонтований.

c. Від'єднайте кабель живлення від джерела живлення та/або акумулятора від електричного інструменту перед виконанням будь-яких регулювань, заміни приладдя або при зберіганні електроінструменту. Такі профілактичні заходи безпеки зменшують ризик ненавмисного запуску електричного інструменту.

d. Зберігайте електроприлади в недоступному для дітей місці і не дозволяйте особам, які не знайомі з електричним інструментом або даними інструкціями, працювати з електроприладами. Електроінструменти небезпечні в руках недосвідчених користувачів.

e. Підтримання електроінструменту. Перевіряйте розрегульованість або з'єднання рухомих частин, поломки частин і будь-які інші умови, які можуть вплинути на роботу електричного інструменту. При наявності пошкодження, відремонтуйте електроінструмент перед використанням. Багато нещасних випадків є наслідком поганого догляду за електроінструментом.

f. Тримайте ріжучий інструмент гострим і чистим. Добре доглянутий ріжучий інструмент з гострими ріжучими краями легше контролювати.

g. Використовуйте електроприлади, приладдя, насадки і т.д. у відповідності з цими інструкціями, беручи до уваги робочі умови та характер

виконуваної роботи. Використання електроінструменту іншим способом може призвести до небезпечних ситуацій.

#### 5. Обслуговування

a. Обслуговувати електричний інструмент повинен тільки кваліфікований ремонтний персонал, і при цьому повинні використовуватися тільки оригінальні запасні деталі. Це стане гарантією безпеки електроінструменту.

#### Додаткові застереження з техніки безпеки роботи з електричним інструментом

- Оскільки шнур живлення може торкнутися ремня, тримати інструмент необхідно за ізольовані поверхні. У разі перерізання проводу, що перебуває під напругою, можливе потраплення під напругу металевих деталей електричного інструмента, внаслідок чого виникає небезпека ураження оператора електричним струмом.
- Закріпіть заготовку на стійкій основі затискачами або іншим зручним і практичним способом. Якщо тримати деталь руками або притискати її до себе, вона буде незакріпленою, що може призвести до втрати контролю за роботою інструмента.
- Дозволяється використовувати фасонні фрези з діаметром хвостовика, що дорівнює розміру цангового патрона, встановленого в інструменті.
- Дозволяється використовувати тільки фасонні фрези, придатні для роботи на швидкості холостого ходу інструмента.
- Забороняється використовувати фасонні фрези, діаметр яких перевищує максимальний діаметр, зазначений у розділі «Технічні дані».
- Забороняється використовувати інструмент у перевернутому положенні.
- Не намагайтесь використовувати інструмент у стаціонарному режимі.
- Будьте особливо обережні, обробляючи МДФ чи поверхні, покриті фарбою на основі свинцю.
- Одягайте пилозахисну маску, спеціально призначену для захисту від пилу і випарів свинцевмісних фарб, і забезпечте захист усіх осіб, що перебувають у робочій зоні чи заходять у неї.
- Дітям і вагітним жінкам забороняється перебувати у робочій зоні.
- У робочій зоні заборонено їсти, пити і курити.



- Утилізуйте безпечним чином всі частинки пилю та інші відходи.
- Завжди вдягайте пилозахисну маску.
- Цей інструмент не призначений для використання неповнолітніми та особами зі слабким здоров'ям. За дітьми слід наглядати, щоб вони не гралися з інструментом.

## ИНДИВІДУАЛЬНА ТЕХНІКА БЕЗПЕКИ

- Дітям і вагітним жінкам забороняється заходити у зону виконання робіт зі зняття фарби аж до закінчення прибирання.
- Усі особи, які заходять у зону виконання робіт, повинні вдягати пилозахисні маски чи респіратори. Фільтр пилозахисної маски чи респіратора слід замінювати щодня чи коли під час користування маскою відчувається ускладнення дихання.

**Примітка.** Слід користуватися тільки пилозахисними масками, придатними для використання в умовах пилю і випарів свинцевмісних фарб. Звичайні малярні маски не забезпечують такого захисту. Зверніться до місцевого продавця індивідуальних засобів захисту по відповідну маску з сертифікатом NIOSH.

## Наклейки на інструменти

Окрім значків, які використано в цьому посібнику, на інструмент нанесено такі умовні позначення:

	<b>Увага!</b> Для зниження ризику травмування оператор повинен прочитати цю інструкцію з експлуатації.		
	Завжди вдягайте захисні окуляри.		
	Завжди користуйтеся засобами захисту органів слуху.		
V	Вольти		Постійний струм
A	Амперы	$n_p$	Швидкість холостого ходу
Hz	Герци		Конструкція класу II
W	Вати		Клема заземлення
min	Хвилини		Попереджувальний знак
	Змінний струм	/хв.	Кількість обертів або зворотно-поступальних рухів за хвилину

## Розташування коду дати (рис. А)

На корпусі виштампувано код дати з зазначенням року виготовлення.

Приклад:

2016 XX ZY  
Рік виготовлення

## ВМІСТ УПАКОВКИ

Упаковка містить:

- 1 фрезерний станок
  - 3 цангові патрони: 6 мм, 6,35 мм і 8 мм
  - 1 паралельний упор
  - 2 планки паралельного упору
  - 1 перехідник для видалення пилю
  - 1 ключ
  - 6 фасонних фрез (додатково, наявні не в усіх моделях)
- 1 інструкція з експлуатації
- Перевірте, чи не має інструмент, його деталі чи аксесуари пошкоджень, які могли з'явитися під час транспортування.
  - Перш ніж починати роботу з інструментом, уважно прочитайте і зрозумійте вказівки, що містяться у цій інструкції.

## Електрична безпека



Цей інструмент має подвійну ізоляцію, тому дріт заземлення для нього не потрібен. Завжди перевіряйте, чи мережева напруга відповідає значенню, вказаному в таблиці з паспортними даними.



**УВАГА!** Щоб уникнути травм і матеріальних збитків у разі пошкодження шнура живлення, його необхідно замінити, звернувшись до виробника, в авторизований сервісний центр Stanley чи до особи, яка має відповідну кваліфікацію. Якщо заміну шнура живлення виконає особа, яка має відповідну кваліфікацію, але не уповноважена компанією Stanley, гарантійні зобов'язання буде анульовано.

## Використання подовжувача

Якщо необхідно використовувати подовжувач, користуйтеся сертифікованим подовжувачем, який відповідає складовій потужності інструмента. Мінімальна площа поперечного перерізу електричного дроту становить 1,5 кв. мм. Перед намотуванням на барабан кабелі слід розплутувати.

Площа перерізу кабелю, мм <sup>2</sup> Номінальний струм кабелю, А	Площа перерізу кабелю, мм <sup>2</sup> Номінальний струм кабелю, А
0,75	6
1,00	10
1,50	15
2,50	20
4,00	25

Довжина кабелю, м						
	7,5	15	25	30	45	60

Напряг, В	Струм, А	Номінальний струм кабелю, А					
110-127	0 - 2,0	6	6	6	6	6	10
	2,1 - 3,4	6	6	6	6	15	15
	3,5 - 5,0	6	6	10	15	20	20
	5,1 - 7,0	10	10	15	20	20	25
	7,1 - 12,0	15	15	20	25	25	-
220-240	12,1 - 20,0	20	20	25	-	-	-
	0 - 2,0	6	6	6	6	6	6
	2,1 - 3,4	6	6	6	6	6	6
	3,5 - 5,0	6	6	6	6	10	15
	5,1 - 7,0	10	10	10	10	15	15
	7,1 - 12,0	15	15	15	15	20	20
	12,1 - 20,0	20	20	20	20	25	-

## ДЕТАЛІ ІНСТРУМЕНТА (РИС. А)

Цей інструмент містить окремі або всі деталі, перелічені нижче.

1. Вимикач
2. Кнопка фіксації
3. Ручка перемикачності кількості обертів
4. Важіль блокування опускання
5. Кнопка фіксації шпінделя
6. Цанговий патрон
7. Поворотний обмежувач глибини
8. Захисний екран
9. Планка обмежувача глибини
10. Шкала глибини різання

11. Перехідник для вилучення пилу

## МОНТАЖ

**УВАГА!** Щоб запобігти випадковому ввімкненню, перед виконанням описаних далі дій вимкніть інструмент і вийміть із розетки вилку шнура живлення. Недотримання цієї вимоги може призвести до важких травм.

### Встановлення фасонної фрези (рис. В)

- Зніміть захисний екран (8).
- Утримуючи натиснутою кнопку фіксації шпінделя (5), повертайте шпіндель, аж доки його не зупинить фіксатор шпінделя.
- Послабте гайку цангового патрона (12) гайковим ключем, який входить у комплект інструмента.
- Вставте хвостовик фасонної фрези (13) у цанговий патрон (6). Переконайтесь у тому, що хвостовик виступає з цангового патрона принаймні на 3 мм, як це показано на рисунку.
- Утримуючи натиснутою кнопку фіксації шпінделя (5), затягніть гайку цангового патрона (12) гайковим ключем, який входить у комплект інструмента.

### Встановлення паралельного упору (рис. С)

Паралельний упор допомагає спрямовувати інструмент паралельно до краю.

- Закріпіть планки (14) на паралельному упорі (15) двома гвинтами (16), які входять у комплект інструмента.
- Вставте планки (14) в основу фасонно-фрезерного станка, як показано на рисунку.
- Установіть паралельний упор на потрібній відстані.
- Закрутіть кріпильні гвинти (17).

### Використання перехідника для видалення пилу (рис. D)

Перехідник для видалення пилу дозволяє під'єднувати до інструмента пиросос.

- Під'єднайте до перехідника (11) шланг (18) пирососа.

### Встановлення напрямного шаблону (рис. Е) (напрямний шаблон не входить у комплект інструмента)

- Встановіть напрямний шаблон (19) на основі фасонно-фрезерного станка фланцем донизу (до робочої деталі).

- Вставте два довгі гвинти (20) знизу через напрямний шаблон і отвори в основі.
- Накиньте гайки на гвинти і ретельно закрутіть їх.

### **Встановлення дистанційної деталі (рис. F) (дистанційна деталь не входить у комплект інструмента)**

- Установіть дистанційну деталь (21) на основу фасонно-фрезерного станка з допомогою двох гвинтів, які входять в комплект інструмента.

### **Встановлення центрувального штифта (рис. G)**

#### **(центрувальний штифт не входить у комплект інструмента)**

- Закріпіть центрувальний штифт (22) в робочу сторону брусків та потім затягніть його за допомогою гвинта (23), який входить до комплекту.

### **Встановлення повторювача (рис. H) (повторювач не входить у комплект інструмента)**

- Закріпіть паралельний упор на фасонно-фрезерному станку, як показано на рисунку С.
- Закріпіть планку (24) на верхній стороні паралельного упору двома гвинтами і гайками, які входять у комплект інструмента.
- Відрегулюйте поворотний пристрій (25) на планці затискним баранцем (26).

## **ЕКСПЛУАТАЦІЯ**

**УВАГА!** Інструмент має працювати зі швидкістю, яка відповідає його технічним характеристикам. Не перевантажуйте його.

- Обережно прокладіть шнур живлення, щоб випадково його не перерізати.

### **Регулювання глибини різання (РИС. I, J та K)**

- Глибина різання — це відстань X між планкою обмежувача глибини (9) та обмежувачем глибини (7).
- Глибину різання можна задавати двома різними способами, описаними нижче.

### **Регулювання глибини різання з допомогою шкали (РИС. J)**

- Установіть фасонну фрезу, як було описано вище.
- Відпустіть фіксуючий гвинт (28).

- Підніміть догори важіль блокування опускання (4).
- Опустіть фасонно-фрезерний станок доти, поки фреза не торкнеться робочої деталі.
- Опустіть донизу важіль блокування опускання (4).
- Установіть стрілку (29) в нульове положення на шкалі (10).
- Додайте до початкового положення потрібну глибину різання.
- Перемістіть планку обмежувача глибини (9) в обчислене положення на шкалі.
- Закрутіть до кінця фіксуючий гвинт (28).
- Виконайте точне регулювання глибини за допомогою регулювальної ручки (30).
- Підніміть догори важіль блокування опускання (4), щоб фасонно-фрезерний станок повернувся в своє початкове положення.
- Після увімкнення фасонно-фрезерного станка опустіть його донизу і виконайте необхідне різання.

### **Регулювання глибини різання за допомогою дерев'яної деталі (РИС. K)**

- Установіть фасонну фрезу і опустіть станок, як описано вище.
- Підніміть догори планку обмежувача глибини (9).
- Установіть між обмежувачем глибини (7) і планкою регулювання глибини (9) дерев'яну деталь, товщина якої дорівнюватиме потрібній глибині різання.
- Закрутіть до кінця фіксуючий гвинт (28).
- Виконайте точне регулювання глибини за допомогою регулювальної ручки (30).
- Зніміть дерев'яну деталь.
- Підніміть догори важіль блокування опускання (4), щоб фасонно-фрезерний станок повернувся в своє початкове положення.
- Після увімкнення фасонно-фрезерного станка опустіть його донизу і виконайте необхідне різання.

### **Регулювання поворотного обмежувача глибини (РИС. L)**

Спочатку поверніть поворотний обмежувач глибини в потрібне положення, а потім точно налаштуйте глибину обмежувача. Якщо потрібно виконати кілька вирізів різної глибини, відрегулюйте положення обмежувача глибини для кожного вирізу.

## Задання швидкості

Встановіть ручку (3) перемикача кількості обертів в необхідне положення. Фасонні фрези малого діаметру використовуйте на високій швидкості. Фасонні фрези більшого діаметру використовуйте на малій швидкості.

## Використання перехідника для видалення пили (рис. М)

Якщо неможливо використовувати крайовий направляючий пристрій, наприклад, при необхідності фрезерування пазів в задній панелі книжкової шафи для підтримання полиць, виконайте наступне:

- виберіть дерев'яну рейку з прямими сторонами;
- розмістіть рейку на робочій деталі;
- встановіть точно положення рейки для спрямування руху станка;
- надійно закріпіть рейку на робочій деталі.

## Використання напрямного шаблону (рис. Е)

Напрямний шаблон можна використовувати для виконання вирізів фігурної форми, наприклад літери, за допомогою шаблону.

- Закріпіть шаблон поверх робочої деталі двосторонньою клейкою стрічкою або затискачами у формі літери G.
- Щоб виконати виріз у робочій деталі за шаблоном, фреза станка має опускатися нижче фланця напрямного шаблону.

## Використання дистанційної деталі (рис. F) (дистанційна деталь не входить у комплект інструмента)

Дистанційна деталь може використовуватись для торцювання вертикальних виступів дерев'яних матеріалів або ламінату.

## Використання центрувального штифта (рис. G) (центрувальний штифт не входить у комплект інструмента)

Центрувальний штифт можна використовувати для виконання круглих вирізів.

- Просвердліть отвір для центрувального штифта в центрі кола, яке необхідно вирізати.
- Установіть станок на робочій деталі так, щоб центрувальний штифт знаходився у висвердленому отворі.
- Відрегулюйте радіус кола планками.
- Тепер станок може рухатись по деталі і вирізати коло.

## Використання повторювача (рис. H) (повторювач не входить у комплект інструмента)

Повторювач допомагає зберігати однакову довжину між вирізами уздовж країв робочих деталей неправильної форми.

- Установіть станок на робочій деталі на потрібній повторюваній відстані від краю.
- Відрегулюйте планки паралельного упору так, щоб колишчатко торкалося заготовки.

## Увімкнення та вимкнення

### Увімкнення

- Утримуючи натиснутою кнопку фіксації (2), натисніть вимикач (1).
- Відпустіть кнопку фіксації.

### Вимкнення

- Відпустіть вимикач.

**УВАГА!** Під час роботи завжди тримайте інструмент двома руками.

## Корисні поради

- Під час обробки зовнішніх країв переміщуйте інструмент проти годинникової стрілки (рис. М). Під час обробки внутрішніх країв переміщуйте інструмент за годинниковою стрілкою.
- Для обробки м'яких порід дерева використовуйте фасонні фрези зі швидкоріжучою надміцної сталі.
- Для обробки твердих порід дерева використовуйте фасонні фрези, армовані карбідом вольфраму.
- Інструмент можна використовувати без напрямної (рис. О). Це доцільно для нанесення написів і під час творчої роботи. Виконуйте тільки неглибокі вирізи.
- У таблиці нижче наведено поширені типи фасонних фрез.

## Фасонні фрези (опція) (рис. P)

Опис	Призначення
Пряма фреза (1)	Пазы і канавки
Торцювальна фреза (2)	Торцювання ламінату та дерева твердих порід; точна фасонна обробка за шаблоном
Фреза для вибирання канавок (3)	Вибирання канавки на плоских і кривих робочих деталях.
Фреза для вибирання V-подібних пазів (4)	Виконання V-подібних пазів, гравіювання і декоративне фрезерування країв
Кернова фреза (5)	Фрезерування канавок, гравіювання і декоративне фрезерування країв
Фреза для викружки (6)	Декоративне фрезерування країв
Фреза для синусів (7)	Декоративне фрезерування країв
Фреза для заокруглювання (8)	Заокруглювання країв
Фреза «ластівчин хвіст» (9)	Фреза для з'єднань ластівчиним хвостом
Фреза для скосів (10)	Скоси країв

## ТЕХНІЧНЕ ОБСЛУГОВУВАННЯ

Конструкція інструмента Stanley розрахована на роботу протягом тривалого періоду часу з мінімальним технічним обслуговуванням. Належний догляд і регулярне чищення – запорука тривалої задовільної роботи інструмента.

**УВАГА! Щоб обмежити до мінімуму небезпеку отримання важкої травми, вимикайте живлення інструмента і виймайте з розеток усі вилки, перш ніж регулювати або знімати/встановлювати будь-яке приладдя.** Перед повторним складанням інструмента короткочасно натисніть пусковий вимикач, щоб упевнитися, що інструмент вимкнено.

**УВАГА!** Перед виконанням будь-яких робіт з обслуговування інструмента з живленням від мережі чи від акумулятора:



### Змащення

Інструменти Stanley належним чином змащені на заводі і готові до використання.

Залежно від режиму використання, інструменти слід змащувати щороку. (Інструменти, які використовуються для важких робіт або працюють в інтенсивному режимі, може бути потрібно змащувати частіше.) Таке змащення мають виконувати тільки досвідчені спеціалісти з обслуговування електричного інструменту, наприклад працівники авторизованих сервісних центрів Stanley або інші кваліфіковані спеціалісти з обслуговування.



### Очищення

**УВАГА!** Регулярно очищуйте вентиляційні отвори в інструменті за допомогою м'якої щітки або сухої тканини.



**УВАГА!** Забороняється використовувати для очищення неметалевих частин інструмента розчинники й агресивні хімічні речовини. Ці хімічні речовини можуть погіршити міцність матеріалів цих частин. Для очищення інструмента можна користуватися тільки м'яким мильним розчином і вологою ганчіркою. У жодному разі не допускайте потрапляння рідини всередину інструмента і не занурюйте жодну його частину в рідину.



**УВАГА!** Щоб гарантувати БЕЗПЕКУ та НАДІЙНІСТЬ інструмента, ремонт, обслуговування та регулювання (окрім описаних в цій інструкції) мають виконувати авторизовані сервісні центри чи інші кваліфіковані організації; для виконання цих робіт обов'язково слід використовувати ідентичні запасні частини. Виріб не містить деталей, призначених для обслуговування користувачем.

## Додаткові аксесуари



**УВАГА!** Оскільки аксесуари інших виробників не проходили випробування з цим виробом, використання такого приладдя із цим інструментом може бути небезпечним. Щоб обмежити ризик отримання травми, з цим виробом слід використовувати тільки рекомендоване приладдя компанії Stanley.

Ефективність роботи будь-якого електричного інструмента залежить від використовуваного приладдя. Приладдя Stanley розроблено відповідно до високих стандартів якості, і його конструкція розширює можливості інструмента. Використання цього приладдя дає змогу отримувати від інструмента максимальну користь. Компанія Stanley випускає широкий асортимент приладдя, яке можна за додаткову плату придбати у місцевих дилерів чи в авторизованих сервісних центрах.

## Примітки

Одним із принципів політики компанії Stanley є постійне вдосконалення виробів, тому компанія залишає за собою право змінювати характеристики своїх виробів без попереднього сповіщення. Стандартне обладнання та приладдя у різних країнах може відрізнятися. Технічні характеристики виробів можуть відрізнятися залежно від країни. Повна лінійка продуктів може бути доступна не в усіх країнах. З питання можливості придбання наших виробів зверніться до місцевих дилерів компанії Stanley.

## Захист навколишнього середовища



Окреме збирання. Цей продукт не можна викидати разом зі звичайним побутовим сміттям.

Якщо якийсь ви вирішите, що ваш виріб фірми STANLEY має бути замінено, або він вам більше не потрібний, не викидайте його на смітний побутового сміття. Зробіть цей виріб доступним для спеціального збирання.



Компанія STANLEY має можливість для збору та переробки продуктів власного виробництва після закінчення їхнього терміну служби. Щоб скористатися цією послугою, поверніть виріб компанії в офіційний сервісний центр, які збирають відпрацьовані продукти за наш рахунок.

Ви можете знайти місцезнаходження найближчого до Вас сервісного центру, зв'язавшись з місцевим офісом компанії STANLEY за адресою, вказаною в цих інструкціях. Крім того, список офіційних сервісних центрів компанії STANLEY з усіма подробицями нашого післяпродажного обслуговування та контактної інформацією міститься в Інтернеті за адресою: [www.2helpU.com](http://www.2helpU.com)

## ІНФОРМАЦІЯ З ОБСЛУГОВУВАННЯ

Компанія STANLEY має широку мережу власних та авторизованих сервісних центрів. Всі сервісні центри компанії STANLEY укомплектовано персоналом із відповідною підготовкою, який виконує ефективне і надійне сервісне обслуговування власників електричних інструментів. Щоб отримати додаткову інформацію про авторизовані сервісні центри, пораду технічного спеціаліста чи замовити ремонт та оригінальні запасні частини, зверніться до найближчого представництва STANLEY.

## ТЕХНІЧНІ ДАНІ

РУЧНА ФРЕЗЕРУВАЛЬНА МАШИНА		SRR1200
Напруга	В	220 – 240
Частота	Гц	50/60
Потужність	Вт	1200
Швидкість холостого ходу	об./хв.	8000 – 27000
Розмір цангового патрона	мм	6 мм, 6,35 мм, 8 мм
Довжина шнура	м	3

**STANLEY**

Гарантійні умови

Шановний покупець!

1. Вітаємо Вас з покупкою високоякісного виробу STANLEY і висловлюємо вдячність за Ваш вибір.
2. При покупці виробу вимагайте перевірки його комплектності і справності у Вашій присутності, інструкцію з експлуатації та заповнений гарантійний талон українською мовою  
В гарантійному талоні повинні бути внесені: модель, дата продажу, серійний номер, дата виробництва інструменту; назва, печатка і підпис торгової організації. За відсутності у Вас правильно заповненого гарантійного талону, а також при невідповідності зазначених у ньому даних ми будемо змушені відхилити Ваші претензії щодо якості даного виробу.
3. Щоб уникнути непорозумінь, переконливо просимо Вас перед початком роботи з виробом уважно ознайомитися з інструкцією з його експлуатації. Правовою основою справжніх гарантійних умов є чинне Законодавство. Гарантійний термін на даний виріб складає 24 місяці і обчислюється з дня продажу. У разі усунення недоліків виробу, гарантійний строк продовжується на період його перебування в ремонті. Термін служби виробу становить 5 років з дня продажу.
4. У разі виникнення будь-яких проблем у процесі експлуатації виробу рекомендуємо Вам звертатися тільки в уповноважені сервісні центри STANLEY, адреси та телефони яких Ви зможете знайти в гарантійному талоні, на сайті [www.2helpU.com](http://www.2helpU.com) або дізнатися в магазині. Наші сервісні станції - це не тільки кваліфікований ремонт, але і широкий асортимент запчастин і аксесуарів.
5. Виробник рекомендує проводити періодичну перевірку і технічне обслуговування виробу в уповноважених сервісних центрах.
6. Наші гарантійні зобов'язання поширюються тільки на несправності, виявлені протягом гарантійного терміну і викликані дефектами виробництва та \ або матеріалів.
7. Гарантійні умови не поширюються на несправності виробу, що виникли в результаті:
- 7.1 Недотримання користувачем приписів інструкції з експлуатації виробу, застосування виробу не за призначенням, неправильного зберігання, використання приладдя, витратних матеріалів і запчастин, що не передбачені виробником.
- 7.2 Механічного пошкодження (відколи, тріщини і руйнування) внутрішніх і зовнішніх деталей виробу, основних і допоміжних рукояток, мережевого кабелю, що викликані зовнішнім ударним або будь-яким іншим впливом

- 7.3 Потрапляння у вентиляційні отвори та проникнення всередину виробу сторонніх предметів, матеріалів або речовин, що не є відходами, які супроводжують застосування виробу за призначенням, такими як: стружка, тирса, пісок, та ін.
- 7.4 Впливу на виріб несприятливих атмосферних і інших зовнішніх факторів, таких як дощ, сніг, підвищена вологість, нагрівання, агресивні середовища, невідповідність параметрів електромережі, що зазначені на інструменті.
- 7.5 Стихійного лиха. Пошкодження або втрати виробу, що пов'язані з непередбаченими лихами, стихійними явищами, у тому числі внаслідок дії непереборної сили (пожежа, блискавка, потоп і інші природні явища), а також внаслідок перепадів напруги в електромережі та іншими причинами, які знаходяться поза контролем виробника.
8. Гарантійні умови не поширюються:
- 8.1. На інструменти, що піддавались розкриттю, ремонту або модифікації поза уповноваженим сервісним центром.
- 8.2. На деталі, вузли та матеріали, що мають сліди природного зносу, такі як: приводні ремені і колеса, вугільні шітки, мастило, підшипники, зубчасті зчеплення редукторів, гумові ущільнення, сальники, направляючі ролики, муфти, вимикачі, бойки, штовхачі, стволи тощо.
- 8.3. На змінні частини: патрони, цанги, затискні гайки і фланці, фільтри, акумуляторні батареї, ножі, шліфувальні підшви, ланцюги, зірочки, пильні шини, захисні кожухи, пилки, абразиви, пильні і абразивні диски, фрези, свердла, бури тощо
- 8.4. На несправності, що виникли в результаті перевантаження інструменту (як механічного, так і електричного), що спричинили вихід з ладу одночасно двох і більше деталей і вузлів, таких як: ротора і статора, обох обмоток статора, веденої і ведучої шестерень редуктора або інших вузлів і деталей. До безумовних ознак перевантаження виробу відносяться, крім інших: поява кольорів мінливості, деформація або оплавлення деталей і вузлів виробу, потемніння або обуглювання ізоляції проводів електродвигуна під впливом високої температури.



Виробник:

"Stanley Black & Decker Deutschland GmbH" Black-&-Decker Str.40, D-65510 Idstein, Німеччина

